

B6A-SDXXPC5CE7-12W Data Sheet

Features (產品特性)

- ◆ NO UV or IR light radiation
(沒有紫外線和紅外線輻射光)
- ◆ No glare, No flicker
(無眩光,無閃爍)
- ◆ Full range of white colors available
(全系列的白色顏色可選)
- ◆ Long Lifetime >25000 hours
(壽命長達25000小時)
- ◆ E27 socket Compatible
(E27燈座相容)
- ◆ Power consumption up to **12W**
(總消耗功率為**12W**)
- ◆ View Angle : **300°**
(發光角度 : **300°**)
- ◆ Energy saving, environmental protection,
high efficiency (節能、環保、效率高)



Typical Applications (典型應用)

- ◆ Indoor Lighting, Commercial Lighting (室內照明、商業照明)
- ◆ Places of entertainment (娛樂的地方)
- ◆ Crystal Lamps, Home lighting (水晶燈,家庭照明)
- ◆ Replace the traditional ball steep light (取代傳統的球泡燈)

Product Specifications(產品規格)

Parameter(參數)	Description(描述)
Optical lens (燈罩)	Plastic Cover optical lens (PC 擴光罩)
Housing (主體)	Anodizing Aluminum (塑包鋁)
lamp base Type (燈頭類型)	E27 Standard Size (E27 標準尺寸)
Operation Temperature (操作溫度)	-20°C~+40°C
Storage Temperature (儲存溫度)	-40°C~+70°C

B6A-SDXXPC5CE7-12W Data Sheet

Part Number (產品編碼)

Model (產品類型)	Special code (外型類型)	LED Type (LED 類型)
B 6A-SDXXX C 5CE7-12W	B6A -SDXXX C 5CE7-12W	B6A- S DXXX C 5CE7-12W
B: Bulb Light (球泡燈)	6A: A Type (直徑 60mm A 泡)	S: SMD LED

CRI (顯色指數)	CCT (色溫)	Cover (PC 罩類型)
B6A-SDXXX C 5CE7-12W	B6A-SD XX C5CE7-12W	B6A-SD XX C5CE7-12W
D: ≥ 80 Ra	30: 2500~3500K	P: Plastic Haze Cover
	50: 4500~5500K	
	60: 5500~6500K	

Input Voltage (使用電壓)	Power Factor (功率因數)	Power Specification (電源類型)
B6A-SDXXX C 5CE7-12W	B6A-SDXXX C 5CE7-12W	B6A-SDXXX C 5CE7-12W
A: AC 175~265V	5: ≥ 0.5	-: Isolated Power without CE
B: AC 90~140V		C: Isolated Power with CE
C: AC 90~265V		

Lamp Base (燈頭類型)	Wattage (消耗功率)
B6A-SDXXX C 5 E7 -12W	B6A-SDXXX C 5 E7 - 12W
E7: E27	12W: 12W

Specifications of Plastic Haze Cover Series (光電參數)

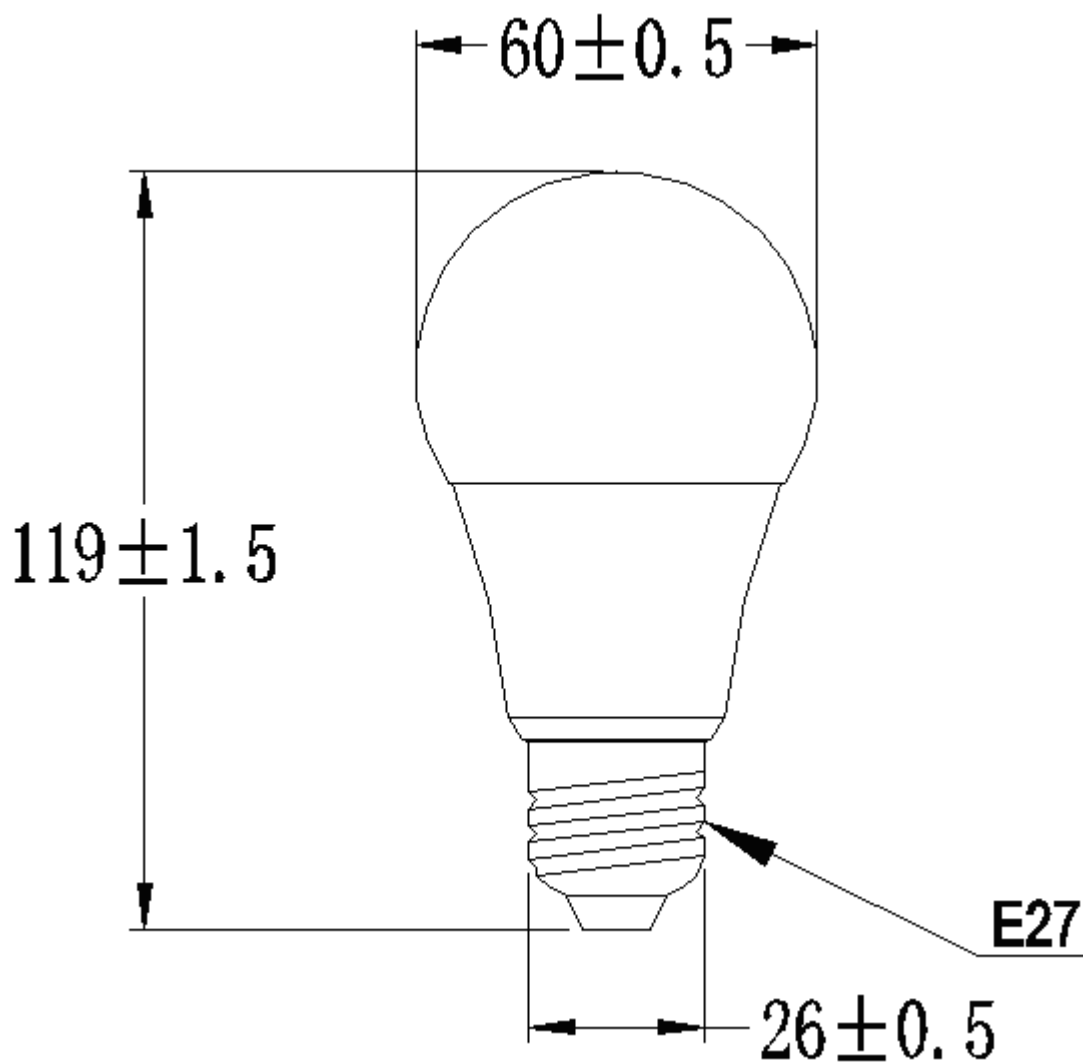
Model No. (名稱)	B6A-SDXXPC5CE7-12W		
Parameter (參數)	Min.	Typ.	
Power Consumption (W) (消耗功率)		12	
Net Weight (g) (產品重量)		50	
View Angle (°) (發光角度)		300°	
D30(2500~3500K)	Luminous Flux (lm) (光通量)		1140
D40(3500~4500K)	Illuminance @ 1m (lux) (1 米照度)		135
D50(4500~5500K)	Luminous Flux (lm) (光通量)		1200
D60(5500~6500K)	Illuminance @ 1m (lux) (1 米照度)		150

Power Consumption, Weight, Luminous flux measurement allowance is $\pm 15\%$.

All specifications involving life and performance are based upon a 25°C ambient temperature. (以上資料公差為 $\pm 15\%$ 、測試的資料是在 25°C 的環境溫度下進行)

B6A-SDXXPC5CE7-12W Data Sheet

Dimensions(產品尺寸圖)



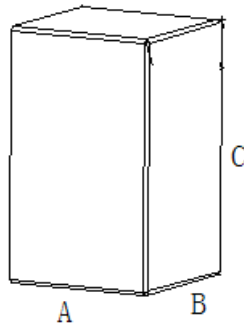
Notes: 1. Dimensions are in millimeters (上圖尺寸資料單位為：MM)

2. Tolerances unless dimensions ± 0.5 mm (沒注公差的數據公差為： ± 0.5 mm)

B6A-SDXXPC5CE7-12W Data Sheet

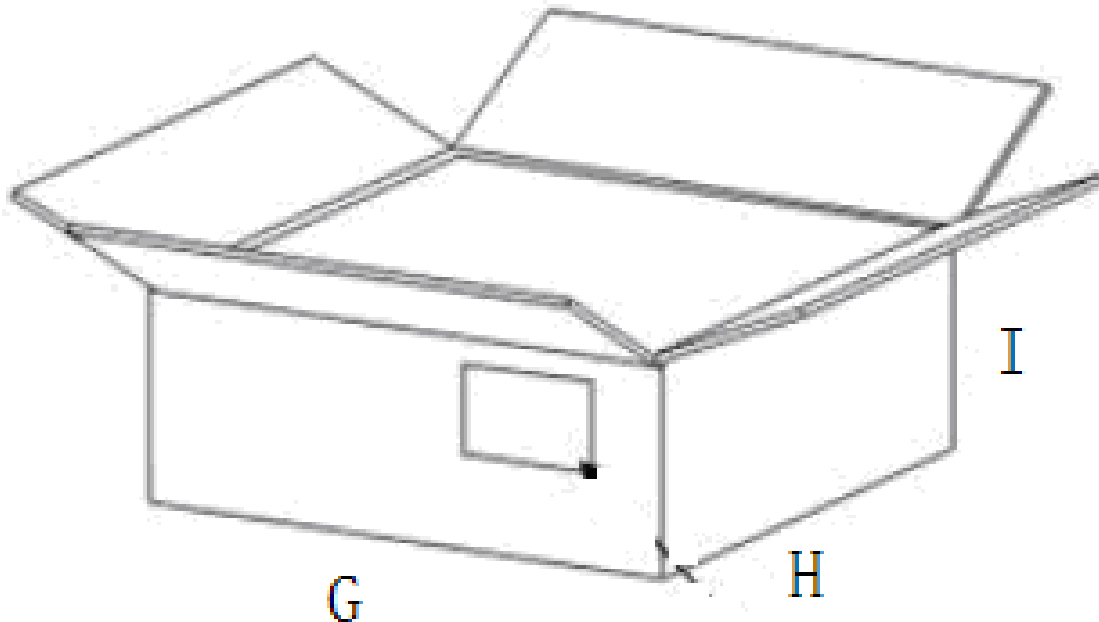
Dimensions of Carton (產品包裝)

1 · Inside boxes (彩盒)



Carton size: (尺寸) 61(A)*61(B)*120(C)mm

2 · Outer box (外箱)



Net weight per light(淨重): 2.8kg

Gross weight(毛重): 3.7kg

Carton: 50 PCS Unit Boxes (50 個為一箱)

Meas(外箱尺寸): 630(G)*330(H)*135(I)mm