

TS2X-RSDXXX9X-9W-TW-XXX Data Sheet

Features (產品特徵)

- ◆ Light source: SMD LED (光源:SMD LED)
- ◆ NO UV or IR light radiation
(沒有紫外線和紅外線輻射光)
- ◆ Full range of white colors available
(白光全系列色溫都可選擇)
- ◆ Long Lifetime >40000 hours
(壽命>40000小時)
- ◆ G13 socket Compatible (相容G13插座)
- ◆ Power consumption up to **9W** for
lengths **580 mm**
(消耗功率:9W, 燈管長度:580MM)
- ◆ No mercury and ROHS compliant (沒有汞可通過無鉛環保認證)



Typical Applications (典型應用)

- ◆ Indoor Lighting (室內照明)
- ◆ Architectural Lighting (建築照明)
- ◆ Office Lighting (辦公照明)
- ◆ T8 Luminaire Replacement (替代傳統 T8 光源)

Product Specifications (產品規格)

Parameter(參數)	Description(描述)
Optical lens (透光罩)	Plastic Cover optical lens(PC 擴光罩)
Housing (主體)	Anodizing Aluminum (鋁合金)
Operation Temperature (操作溫度)	-20°C ~ +40°C
Storage Temperature (儲存溫度)	-40°C ~ +70°C
Probe Scope (探測範圍)	180°
Probe Distance (探測距離)	6 米(m)
Delay time (延時時間)	5 秒(sec)~6 分(min)可選擇
Mounting height (安裝高度)	1.5~2.5 米(m)
Notes: In the detection range do not covered with metal, At the back of the metal range is invalid 注：探測範圍內不能有金屬遮蔽,金屬後面的範圍是無效的	

TS2X-RSDXXX9X-9W-TW-XXX Data Sheet

Part Number Explanation (產品編碼)

Model(產品類型)	Length(長度規格)	
TS 2X-RSDXXX9X-9W-TW-XXX	TS 2 X-RSDXXX9X-9W-TW-XXX	TS X -RSDXXX9X-9W-TW-XXX
TS:T8..Oval-Shaped (T8 橢圓燈管)	2: 580mm (2ft)	A: All bright(全亮)+ Not bright(全滅) P: Part bright(暗亮)+ All bright(全亮)

Dimming Type(調光類型)	LED Type(LED 類型)	CRI(顯色指數)
TS2X- R SDXXX9X-9W-TW-XXX	TS2X-R S DXXX9X-9W-TW-XXX	TS2X-R S DXXX9X-9W-TW-XXX
R:Radar switch (雷達感應燈)	S: SMD LED	D: ≥ 80 Ra

CCT(色溫)	COVER(PC 罩類型)	Input Voltage(使用電壓)
TS2X-RSD XX 9X-9W-TW-XXX	TS2X-RSD XX 9X-9W-TW-XXX	TS2X-RSD XX 9X-9W-TW-XXX
30: 2500~3500K	A: Semi-Transparent(細紋罩)	A: AC 175~265V
40: 3500~4500K	B: Haze(擴光霧面罩)	B: AC 90~140V
60: 5500~6500K	D: Transparent(透光罩)	C: AC 90~265V

Power Factor(功率因數)	Power Specification(電壓類型)
TS2X-RSDXXX 9 X-9W-TW-XXX	TS2X-RSDXXX X 9-9W-TW-XXX
9: ≥ 0.9	F: Non-Isolated without CE (非隔離無安規電源) C: Non-Isolated Power with CE (非隔離安規電源)

Wattage(消耗功率)	Specific Grade (特別代碼)	Delay time(延時時間)
TS2X-RSDXXX9X- 9W -TW-XXX	TS2X-RSDXXX9X-9W- TW -XXX	TS2X-RSDXXX9X-9W-TW- XXX
9W: 9W	TW: Taiwan's specification (臺灣地區)	30S: 30 Seconds (30秒) 60S: 60 Seconds (60秒) 2M: 2 Minutes(2分鐘)

TS2X-RSDXXX9X-9W-TW-XXX Data Sheet

Specifications of Haze Cover Series (擴光霧面罩參數)

Model No. (產品型號)		TS2X-RSDXXBX9X-9W-TW-XXX	
Parameter (參數)		Min.	Typ.
Power Consumption (W) (消耗功率)			9
Net Weight (g) (產品重量)			150
D30(2500~3500K)	Luminous Flux (lm) (光通量)		790
D40(3500~4500K)	Illuminance @ 1m (lux) (1米照度)	180	
D60(5500~6500K)	Luminous Flux (lm) (光通量)		850
	Illuminance @ 1m (lux) (1米照度)	200	

Power Consumption, Weight, Luminous flux measurement allowance is $\pm 15\%$.

All specifications involving life and performance are based upon a 25°C ambient temperature. (以上資料公差為 $\pm 15\%$ 、測試的資料是在25°C的環境溫度下進行)

Specifications of Semi-transparent Cover Series (細紋燈罩)

Model No. (產品型號)		TS2X-RSDXXAX9X-9W-TW-XXX	
Parameter (參數)		Min.	Typ.
Power Consumption (W) (消耗功率)			9
Net Weight (g) (產品重量)			150
D30(2500~3500K)	Luminous Flux (lm) (光通量)		910
D40(3500~4500K)	Illuminance @ 1m (lux) (1米照度)	210	
D60(5500~6500K)	Luminous Flux (lm) (光通量)		980
	Illuminance @ 1m (lux) (1米照度)	230	

Power Consumption, Weight, Luminous flux measurement allowance is $\pm 15\%$.

All specifications involving life and performance are based upon a 25°C ambient temperature. (以上資料公差為 $\pm 15\%$ 、測試的資料是在25°C的環境溫度下進行)

TS2X-RSDXXX9X-9W-TW-XXX Data Sheet

Specifications of Transparent Cover Series (透明燈罩)

Model No. (產品型號)		TS2X-RSDXXDX9X-9W-TW-XXX	
Parameter (參數)		Min.	Typ.
Power Consumption (W) (消耗功率)			9
Net Weight (g) (產品重量)			150
D30(2500~3500K)	Luminous Flux (lm) (光通量)		910
D40(3500~4500K)	Illuminance @ 1m (lux) (1米照度)	220	
D60(5500~6500K)	Luminous Flux (lm) (光通量)		980
	Illuminance @ 1m (lux) (1米照度)	240	

Power Consumption, Weight, Luminous flux measurement allowance is $\pm 15\%$.

All specifications involving life and performance are based upon a 25°C ambient temperature.

(以上資料公差為 $\pm 15\%$ 、測試的資料是在 25°C 的環境溫度下進行)

Function Description (功能描述)

1、Turn on the light for 30 seconds after entering the normal induction status (In 30 seconds sensor insensitive or over sensitive is a normal phenomenon)

(開燈 30 秒後進入正常感應狀態(在 30 秒感測器不敏感或敏感是正常現象))

2、When no one went into the sensing area, the lamp brightness is Quanmie.

(當沒有人進入感應區域,燈管的亮度是全滅)

3、When someone walks into the sensing area, the lamp brightness to full brightness

(當有人走進感應區時燈管會全部亮)

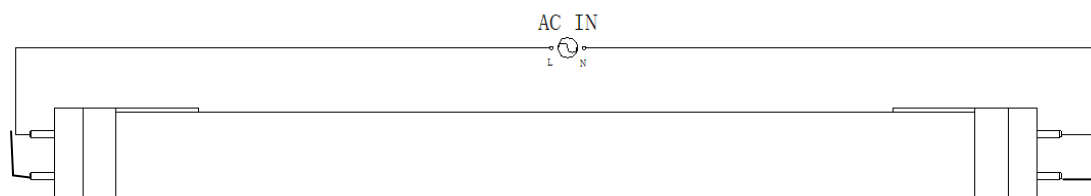
4、When the people leave the sensing area, the lamp brightness after 30 seconds back

Quanmie .

(當人離開感應區域後,燈管的亮度會在 30 秒後回到全滅)

TS2X-RSDXXX9X-9W-TW-XXX Data Sheet

Circuit wiring diagram (電路接線圖)

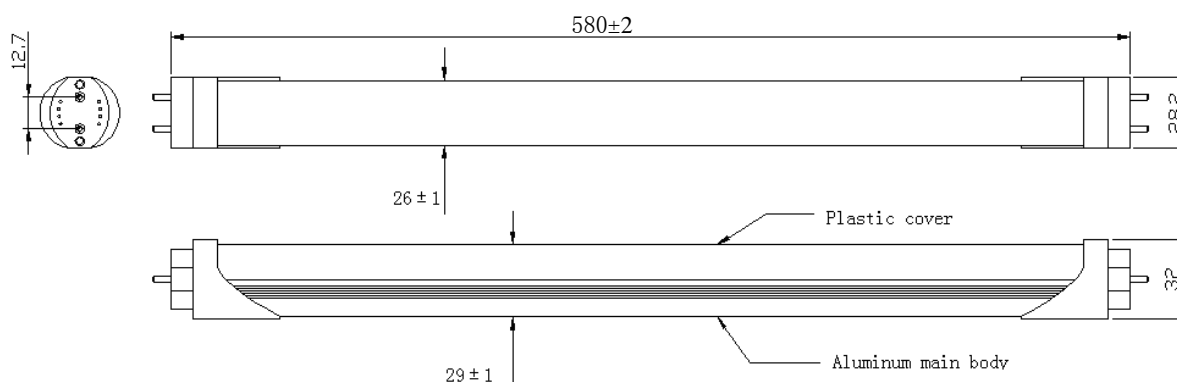


Both side of power input (雙邊接線)

Remarks (摘要):

1. Choke ballast(Inductor) can directly to use. (電感式安定器的燈具可直接替換傳統燈管)
2. Electrical ballast need modify circuit then use. (電子式安定器的燈具就要改電路後才能使用)
3. The above connection mode can only choose one, not at the same time satisfy the two connection mode. (以上接線方式只能選擇一種，不能同時滿足兩種接線方式)

Mechanical Dimensions (產品尺寸圖)



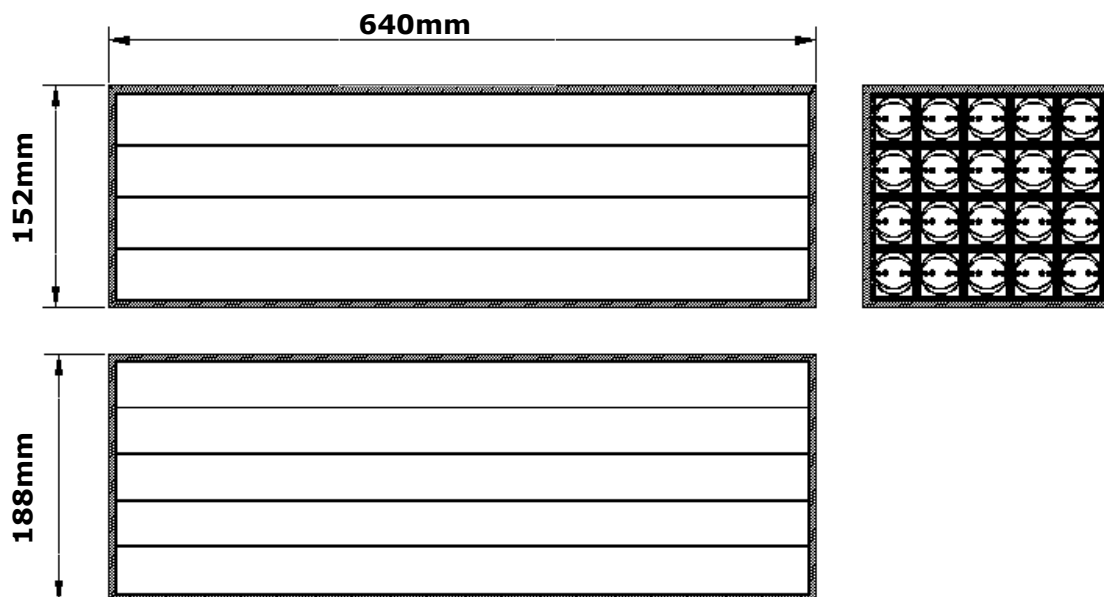
Notes(注釋): 1. Dimensions are in millimeters (上圖尺寸資料單位為: MM)

2. Tolerances unless dimensions ± 0.5 mm (沒注公差的數據公差為: ± 0.5 mm)

TS2X-RSDXXX9X-9W-TW-XXX Data Sheet

Dimensions of Carton (包裝)

Carton: 20PCS UNIT BOXES (20 支為一箱)



Notes: Tolerances unless dimensions $\pm 5\text{mm}$ (沒注公差的數據公差為： $\pm 5\text{mm}$)

TS4X-RSDXXX9X-18W-XXX Data Sheet

Features (產品特徵)

- ◆ Light source: SMD LED (光源:SMD LED)
- ◆ NO UV or IR light radiation
(沒有紫外線和紅外線輻射光)
- ◆ Full range of white colors available
(白光全系列色溫都可選擇)
- ◆ Long Lifetime >40000 hours
(壽命>40000小時)
- ◆ G13 socket Compatible (相容G13插座)
- ◆ Power consumption up to **18W** for lengths **1198 mm**
(消耗功率:18W, 燈管長度:1198MM)
- ◆ No mercury and ROHS compliant (沒有汞可通過無鉛環保認證)



Typical Applications (典型應用)

- ◆ Indoor Lighting (室內照明)
- ◆ Architectural Lighting (建築照明)
- ◆ Office Lighting (辦公照明)
- ◆ T8 Luminaire Replacement (替代傳統 T8 光源)

Product Specifications (產品規格)

Parameter(參數)	Description(描述)
Optical lens (透光罩)	Plastic Cover optical lens(PC 擴光罩)
Housing (主體)	Anodizing Aluminum (鋁合金)
Operation Temperature (操作溫度)	-20°C ~ +40°C
Storage Temperature (儲存溫度)	-40°C ~ +70°C
Probe Scope (探測範圍)	180°
Probe Distance (探測距離)	6 米(m)
Delay time (延時時間)	5 秒(sec)~6 分(min)可選擇
Mounting height (安裝高度)	1.5~2.5 米(m)
Notes: In the detection range do not covered with metal, At the back of the metal range is invalid 注：探測範圍內不能有金屬遮蔽,金屬後面的範圍是無效的	

TS4X-RSDXXX9X-18W-XXX Data Sheet

Part Number Explanation (產品編碼)

Model(產品類型)	Length(長度規格)	
TS 4X-RSDXXX9X-18W-XXX	TS 4 X-RSDXXX9X-18W-XXX	TS 4 X-RSDXXX9X-18W-XXX
TS:T8..Oval-Shaped (T8 橢圓燈管)	4: 1198mm (4ft)	A: All bright(全亮)+ Not bright(全滅) P: Part bright(暗亮)+ All bright(全亮)

Dimming Type(調光類型)	LED Type(LED 類型)	CRI(顯色指數)
TS4X- R SDXXX9X-18W-XXX	TS4X-R S DXXX9X-18W-XXX	TS4X-R S DXXX9X-18W-XXX
R:Radar switch (雷達感應燈)	S: SMD LED	D: ≥ 80 Ra

CCT(色溫)	COVER(PC 罩類型)	Input Voltage(使用電壓)
TS4X-RSD XX 9X-18W-XXX	TS4X-RSD XX 9X-18W-XXX	TS4X-RSD XX 9X-18W-XXX
30: 2500~3500K	A: Semi-Transparent(細紋罩)	A: AC 175~265V
40: 3500~4500K	B: Haze(擴光霧面罩)	B: AC 90~140V
60: 5500~6500K	D: Transparent(透光罩)	C: AC 90~265V

Power Factor(功率因數)	Power Specification(電壓類型)
TS4X-RSDXXX 9 X-18W-XXX	TS4X-RSDXXX 9 X-18W-XXX
9: ≥ 0.9	F: Non-Isolated without CE (非隔離無安規電源) C: Non-Isolated Power with CE (非隔離安規電源)

Wattage(消耗功率)	Delay time(延時時間)
TS4X-RSDXXX9X- 18W -XXX	TS4X-RSDXXX9X-18W-XXX- XXX
18W: 18W	30S: 30 Seconds (30秒) 60S: 60 Seconds (60秒) 2M: 2 Minutes(2分鐘)

TS4X-RSDXXX9X-18W-XXX Data Sheet

Specifications of Haze Cover Series (擴光霧面罩參數)

Model No. (產品型號)		TS4X-RSDXXBX9X-18W-XXX	
Parameter (參數)		Min.	Typ.
Power Consumption (W) (消耗功率)			18
Net Weight (g) (產品重量)			225
D30(2500~3500K)	Luminous Flux (lm) (光通量)		1580
D40(3500~4500K)	Illuminance @ 1m (lux) (1米照度)	380	
D60(5500~6500K)	Luminous Flux (lm) (光通量)		1700
	Illuminance @ 1m (lux) (1米照度)	410	

Power Consumption, Weight, Luminous flux measurement allowance is $\pm 15\%$.

All specifications involving life and performance are based upon a 25°C ambient temperature. (以上資料公差為 $\pm 15\%$ 、測試的資料是在25°C的環境溫度下進行)

Specifications of Semi-transparent Cover Series (細紋燈罩)

Model No. (產品型號)		TS4X-RSDXXAX9X-18W-XXX	
Parameter (參數)		Min.	Typ.
Power Consumption (W) (消耗功率)			18
Net Weight (g) (產品重量)			225
D30(2500~3500K)	Luminous Flux (lm) (光通量)		1840
D40(3500~4500K)	Illuminance @ 1m (lux) (1米照度)	430	
D60(5500~6500K)	Luminous Flux (lm) (光通量)		1980
	Illuminance @ 1m (lux) (1米照度)	470	

Power Consumption, Weight, Luminous flux measurement allowance is $\pm 15\%$.

All specifications involving life and performance are based upon a 25°C ambient temperature. (以上資料公差為 $\pm 15\%$ 、測試的資料是在25°C的環境溫度下進行)

TS4X-RSDXXX9X-18W-XXX Data Sheet

Specifications of Transparent Cover Series (透明燈罩)

Model No. (產品型號)		TS4X-RSDXXDX9X-18W-XXX	
Parameter (參數)		Min.	Typ.
Power Consumption (W) (消耗功率)			18
Net Weight (g) (產品重量)			225
D30(2500~3500K)	Luminous Flux (lm) (光通量)		1840
D40(3500~4500K)	Illuminance @ 1m (lux) (1米照度)	450	
D60(5500~6500K)	Luminous Flux (lm) (光通量)		1980
	Illuminance @ 1m (lux) (1米照度)	490	

Power Consumption, Weight, Luminous flux measurement allowance is $\pm 15\%$.

All specifications involving life and performance are based upon a 25°C ambient temperature.

(以上資料公差為 $\pm 15\%$ 、測試的資料是在 25°C 的環境溫度下進行)

Function Description (功能描述)

1、Turn on the light for 30 seconds after entering the normal induction status (In 30 seconds sensor insensitive or over sensitive is a normal phenomenon)

(開燈 30 秒後進入正常感應狀態(在 30 秒感測器不敏感或敏感是正常現象))

2、When no one went into the sensing area, the lamp brightness is Quannmie.

(當沒有人進入感應區域,燈管的亮度是全滅)

3、When someone walks into the sensing area, the lamp brightness to full brightness

(當有人走進感應區時燈管會全部亮)

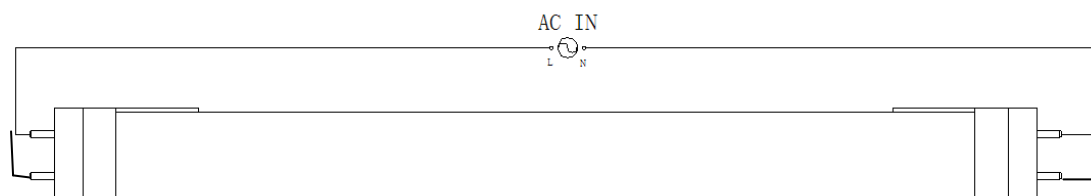
4、When the people leave the sensing area, the lamp brightness after 30 seconds back

Quannmie .

(當人離開感應區域後,燈管的亮度會在 30 秒後回到全滅)

TS4X-RSDXXX9X-18W-XXX Data Sheet

Circuit wiring diagram (電路接線圖)

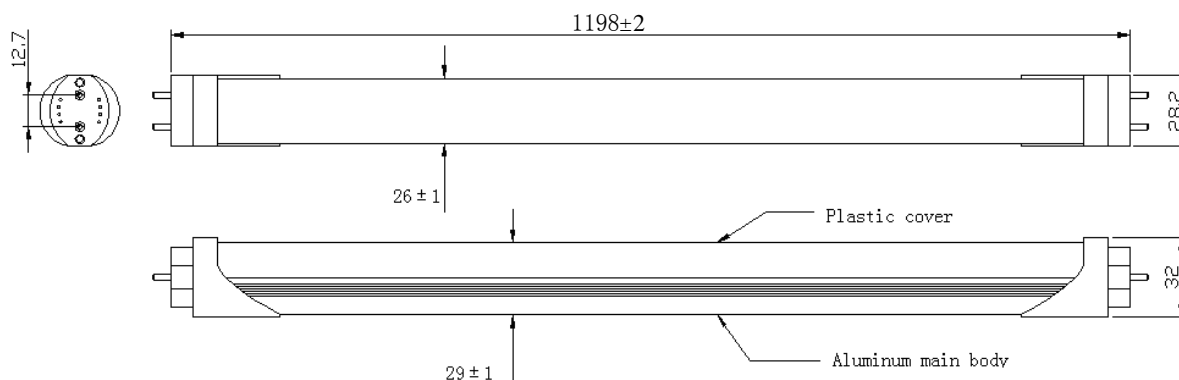


Both side of power input (雙邊接線)

Remarks (摘要):

1. Choke ballast(Inductor) can directly to use. (電感式安定器的燈具可直接替換傳統燈管)
2. Electrical ballast need modify circuit then use. (電子式安定器的燈具就要改電路後才能使用)
3. The above connection mode can only choose one, not at the same time satisfy the two connection mode. (以上接線方式只能選擇一種，不能同時滿足兩種接線方式)

Mechanical Dimensions (產品尺寸圖)



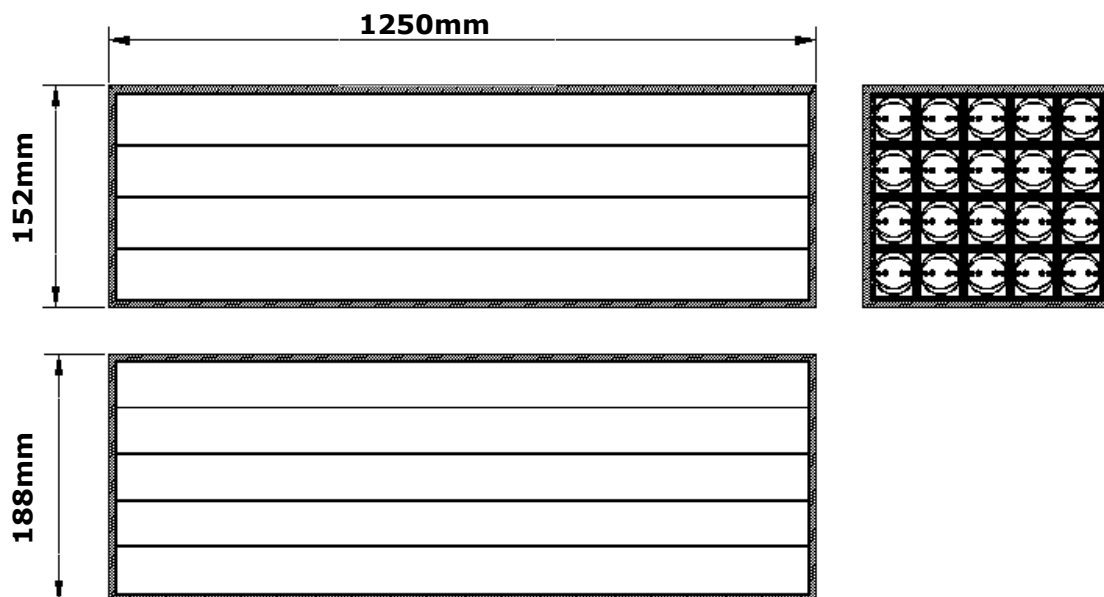
Notes(注釋): 1. Dimensions are in millimeters (上圖尺寸資料單位為: MM)

2. Tolerances unless dimensions $\pm 0.5\text{mm}$ (沒注公差的數據公差為: $\pm 0.5\text{mm}$)

TS4X-RSDXXX9X-18W-XXX Data Sheet

Dimensions of Carton (包裝)

Carton: 20PCS UNIT BOXES (20 支為一箱)



Notes: Tolerances unless dimensions $\pm 5\text{mm}$ (沒注公差的數據公差為： $\pm 5\text{mm}$)