

## FL-CT-100W-XX00K-XXX Data Sheet

### Features (產品特徵)

- ◆ NO UV or IR light radiation  
(沒有紫外線和紅外線輻射光)
- ◆ Full range of white colors available  
(白光全系列色溫都可選擇)
- ◆ Long Lifetime >40000 hours  
(壽命>40000小時)
- ◆ Power consumption up to **100W**  
(消耗功率: **100W**)
- ◆ Input Voltage : **AC 90~305V, 50/60Hz**  
(使用電壓為AC 90~305V, 50/60Hz)
- ◆ Waterproof level **IP66**  
(防水等級: **IP66**)



### Typical Applications (典型應用)

- ◆ Advertising Lighting (廣告牌照明)
- ◆ Flood Lighting (泛光照明)
- ◆ Projector Lighting (投影儀照明)
- ◆ Tunnel lamp (隧道照明)

### Product Specifications (產品規格)

Parameter(參數)	Description(描述)
Optical lens(透光罩)	Glass Cover optical lens (透明玻璃)
Housing (散熱主體)	Anodizing Aluminum(鋁合金)
Operation Temperature(操作溫度)	-20°C ~ +40°C
Storage Temperature(儲存溫度)	-40°C ~ +70°C

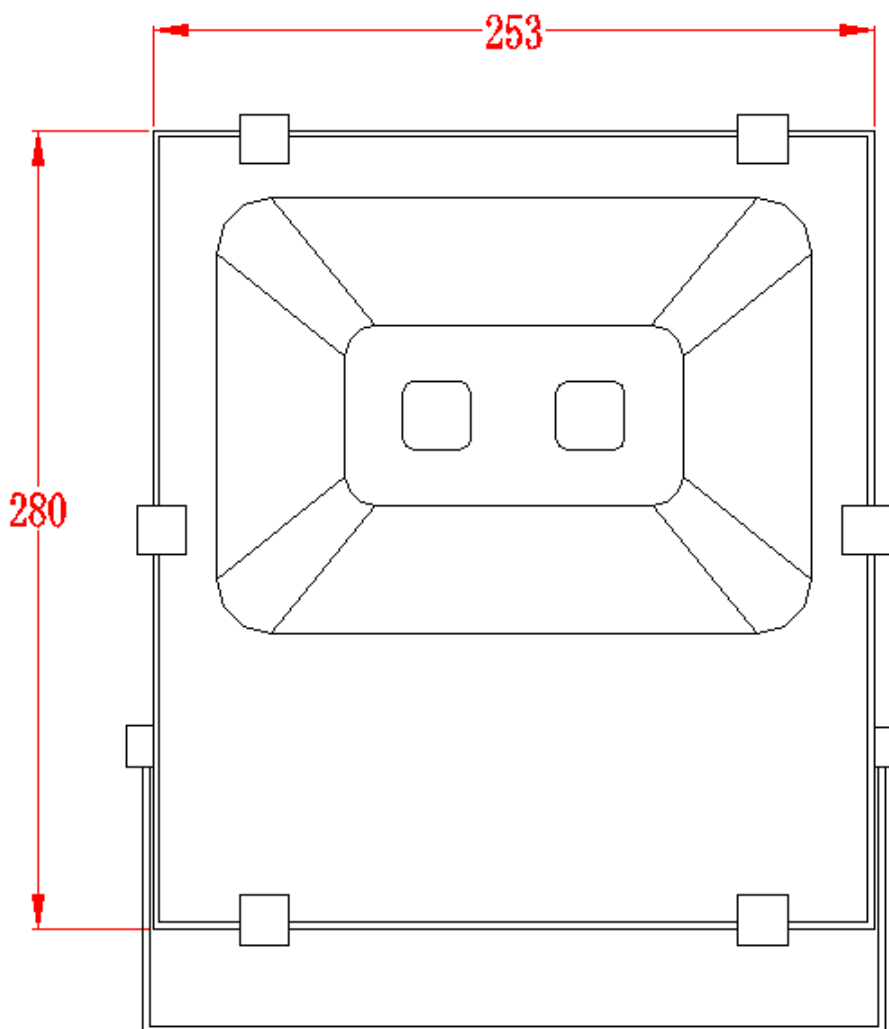
### Part Number (產品編碼)

Model I(產品類型)	LED Type(LED 類型)	Type (款示)
<b>FL-CT-100W-XX00K-XXX</b>	<b>FL-CT-100W-XX00K-XXX</b>	<b>FL-CT-100W-XX00K-XXX</b>
FL: Flood Lighting (泛光燈)	C: COB LED (COB 光源)	T: Thin Type (薄型款)

## FL-CT-100W-XX00K-XXX Data Sheet

Wattage(消耗功率)	CCT(色溫)	Certification (安規類型)
FL-CT- <b>100W</b> -XX00K-XXX	FL-CT-100W- <b>XX</b> 00K-XXX	FL-CT-100W-XX00K- <b>XXX</b>
100W: 100W	30: 2500~3500K	-: BSMI certification (台灣認證)
	60: 5500~6500K	CE: CE certification (CE 認證)

### Dimensions (產品呎吋圖)



Notes: 1. Dimensions are in millimeters (上圖尺寸資料單位為：MM)

2. Tolerances unless dimensions  $\pm 1.5\text{mm}$  (沒注公差的數據公差為： $\pm 1.5\text{mm}$ )

## FL-CT-100W-XX00K-XXX Data Sheet

### Specifications of Glass Transparent Cover Series (光電參數)

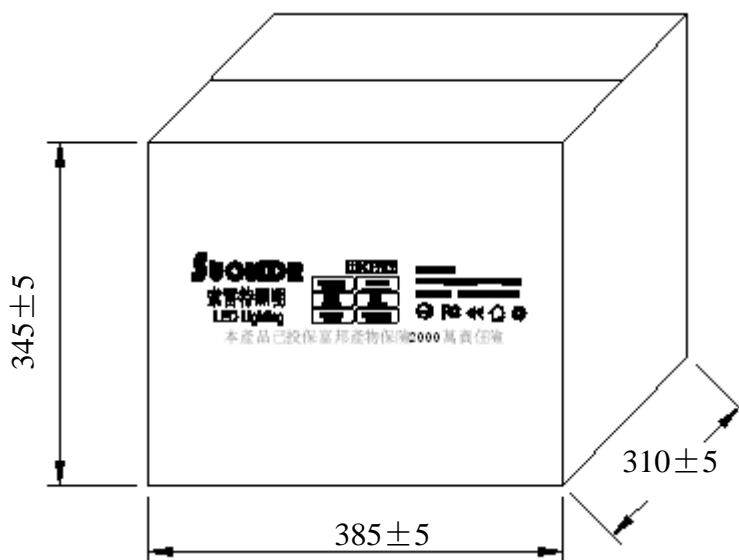
Model No. (產品型號)		FL-CT-100W-XX00K-XXX	
Parameter (參數)		Min.	Typ.
Power Consumption (W) (消耗功率)			100
Net Weight (kg) (產品重量)			2.84
CRI (顯色指數)		70	
D30(2500~3500K)	Luminous Flux (lm) (光通量)		6900
D40(3500~4500K)	Illuminance @ 1m (lux) (1米照度)	1660	
D60(5500~6500K)	Luminous Flux (lm) (光通量)		7700
	Illuminance @ 1m (lux) (1米照度)	1850	

Power Consumption, Weight, Luminous flux measurement allowance is  $\pm 15\%$ .

All specifications involving life and performance are based upon a 25°C ambient temperature. (以上資料公差為 $\pm 15\%$ 、測試的資料是在 25°C 的環境溫度下進行)

### Dimensions of Carton (包裝)

Carton: 4PCS UNIT BOXES (4個為一箱)



Notes(注釋): Dimensions are in millimeters (上圖尺寸資料單位為: MM)