

TS1-SDXXX9X-5W-XXX Data Sheet

Features (產品特徵)

- ◆ Light source: SMD LED
(光源: SMD LED)
- ◆ NO UV or IR light radiation
(沒有紫外線和紅外線輻射光)
- ◆ Full range of white colors available
(白光全系列色溫都可選擇)
- ◆ Long Lifetime >40000 hours
(壽命>40000小時)
- ◆ G13 socket Compatible
(相容G13插座)
- ◆ Power consumption up to **5W** for
lengths **330 mm**
(消耗功率: 5W, 燈管長度: 330MM)
- ◆ No mercury and ROHS compliant
(沒有汞可通過無鉛環保認證)



Typical Applications (典型應用)

- ◆ Indoor Lighting (室內照明)
- ◆ Architectural Lighting (建築照明)
- ◆ Office Lighting (辦公照明)
- ◆ T8 Luminaire Replacement (替代傳統 T8 光源)

Product Specifications (產品規格)

Parameter(參數)	Description(描述)
Optical lens (透光罩)	Plastic Cover optical lens(PC 擴光罩)
Housing (主體)	Anodizing Aluminum (鋁合金)
Pin Type (燈頭)	2 copper pins, G13 Standard Size (標準 G13 尺寸、2 個 PIN 針為銅)
Operation Temperature (操作溫度)	-20°C ~ +40°C
Storage Temperature (儲存溫度)	-40°C ~ +70°C

TS1-SDXXX9X-5W-XXX Data Sheet

Part Number Explanation (產品編碼)

Model(產品類型)	Length(長度規格)	LED Type(LED 類型)
TS1 -SDXXX9X-5W-XXX	TS 1 -SDXXX9X-5W-XXX	TS1- S DXXX9X-5W-XXX
TS: T8..Oval-Shaped (T8 橢圓燈管)	1: 330mm (1ft)	S: SMD LED

CRI(顯色指數)	CCT(色溫)	COVER(PC 罩類型)
TS1-SD D XXX9X-5W-XXX	TS1-SD XX XX9X-5W-XXX	TS1-SD XX XX9X-5W-XXX
D: ≥ 80 Ra	30: 2500~3500K	B: Haze(擴光霧面罩)
	40: 3500~4500K	
	60: 5500~6500K	

Input Voltage(使用電壓)	Power Factor(功率因數)	Power Specification(電壓類型)
TS1-SDXXX X 9X-5W-XXX	TS1-SDXXX 9 X-5W-XXX	TS1-SDXXX 9 X -5W-XXX
A: AC 175~265V	9: ≥ 0.9	F: No certification(無安規認證)
B: AC 90~140V		C: Safety certification (有安規認證)
C: AC 90~305V		

Wattage(消耗功率)	Certification (安規類型)
TS1-SDXXX9X- 5W -XXX	TS1-SDXXX9X-5W- XXX
5W: 5W	-: BSMI certification (台灣認證)
	CE: CE certification (CE 認證)
	PSE: PSE certification(PSE 認證)

TS1-SDXXX9X-5W-XXX Data Sheet

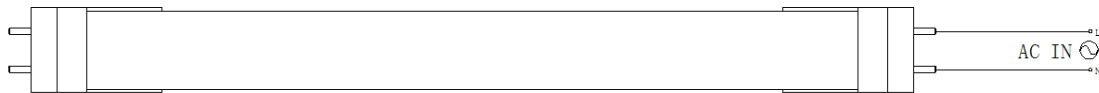
Specifications of Haze Cover Series (擴光霧面罩參數)

Model No. (產品型號)		TS1-SDXXBX9X-5W-XXX	
Parameter (參數)		Min.	Typ.
Power Consumption (W) (消耗功率)			5
Net Weight (g) (產品重量)			110
D30(2500~3500K)	Luminous Flux (lm) (光通量)		520
D40(3500~4500K)	Illuminance @ 1m (lux) (1米照度)	115	
D60(5500~6500K)	Luminous Flux (lm) (光通量)		550
	Illuminance @ 1m (lux) (1米照度)	125	

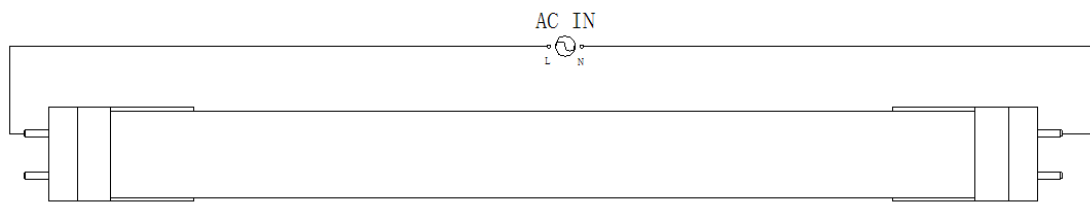
Power Consumption, Weight, Luminous flux measurement allowance is $\pm 15\%$.

All specifications involving life and performance are based upon a 25°C ambient temperature. (以上資料公差為 $\pm 15\%$ 、測試的資料是在25°C的環境溫度下進行)

Wiring diagram without safety procedure certification (無安規電路接線圖)



Power input for unilateral (單邊接線)



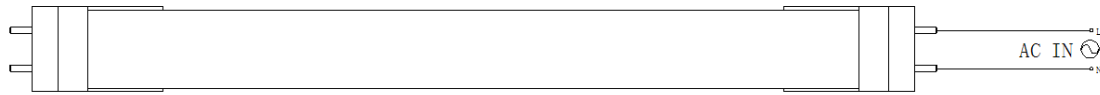
Both side of power input (雙邊接線)

Remarks (摘要):

1. Choke ballast(Inductor) can directly to use. (電感式安定器的燈具可直接替換傳統燈管)
2. Electrical ballast need modify circuit then use. (電子式安定器的燈具就要改電路後才能使用)

TS1-SDXXX9X-5W-XXX Data Sheet

Wiring diagram with safety certification (安規認證的電路接線圖)

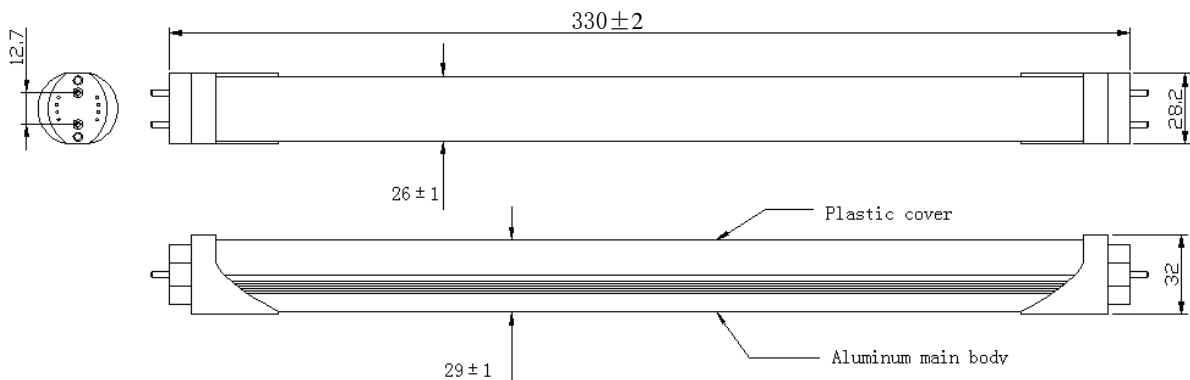


Power input for unilateral (單邊接線)

Remarks (摘要):

1. Choke ballast(Inductor) need modify circuit then use.
(電感式安定器的燈具就要改電路後才能使用)
2. Electrical ballast need modify circuit then use.
(電子式安定器的燈具就要改電路後才能使用)

Mechanical Dimensions (產品尺寸圖)



Notes(注釋): 1. Dimensions are in millimeters (上圖尺寸資料單位為: MM)

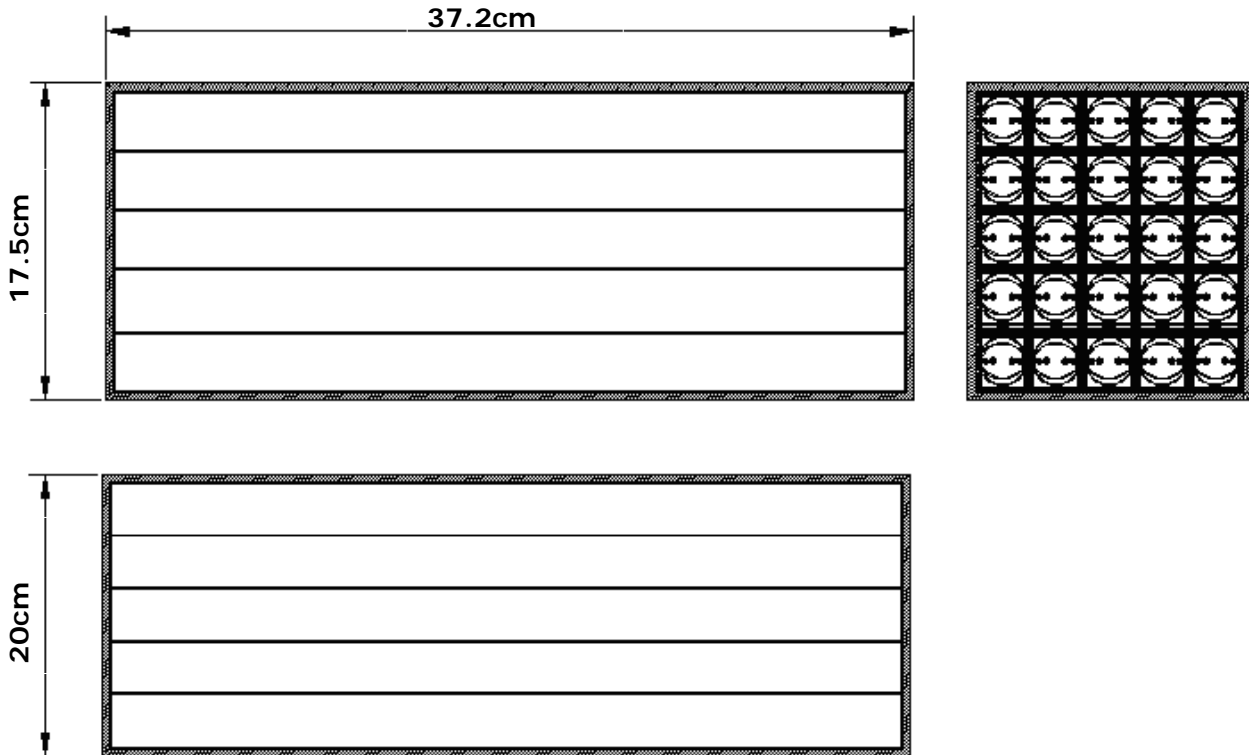
2. Tolerances unless dimensions $\pm 0.5\text{mm}$ (沒注公差的數據公差為: $\pm 0.5\text{mm}$)

TS1-SDXXX9X-5W-XXX Data Sheet

Dimensions of Carton (包裝)

Carton: 25PCS UNIT BOXES (25 支為一箱)

Packing size: 37.2CM(L)*20CM(W)17.5CM(H) (包裝尺寸)



Notes: Tolerances unless dimensions $\pm 5\text{cm}$ (沒注公差的數據公差為： $\pm 5\text{cm}$)

TS2-SDXXX9X-9W-XXX Data Sheet

Features (產品特徵)

- ◆ Light source: SMD LED
(光源: SMD LED)
- ◆ NO UV or IR light radiation
(沒有紫外線和紅外線輻射光)
- ◆ Full range of white colors available
(白光全系列色溫都可選擇)
- ◆ Long Lifetime >40000 hours
(壽命>40000小時)
- ◆ G13 socket Compatible
(相容G13插座)
- ◆ Power consumption up to **9W** for
lengths **590 mm**
(消耗功率: 9W, 燈管長度: 590MM)
- ◆ No mercury and ROHS compliant
(沒有汞可通過無鉛環保認證)



Typical Applications (典型應用)

- ◆ Indoor Lighting (室內照明)
- ◆ Architectural Lighting (建築照明)
- ◆ Office Lighting (辦公照明)
- ◆ T8 Luminaire Replacement (替代傳統 T8 光源)

Product Specifications (產品規格)

Parameter(參數)	Description(描述)
Optical lens (透光罩)	Plastic Cover optical lens(PC 擴光罩)
Housing (主體)	Anodizing Aluminum (鋁合金)
Pin Type (燈頭)	2 copper pins, G13 Standard Size (標準 G13 尺寸、2 個 PIN 針為銅)
Operation Temperature (操作溫度)	-20°C ~ +40°C
Storage Temperature (儲存溫度)	-40°C ~ +70°C

TS2-SDXXX9X-9W-XXX Data Sheet

Part Number Explanation (產品編碼)

Model(產品類型)	Length(長度規格)	LED Type(LED 類型)
TS2 -SDXXX9X-9W-XXX	TS 2 -SDXXX9X-9W-XXX	TS2- S DXXX9X-9W-XXX
TS: T8..Oval-Shaped (T8 橢圓燈管)	2: 590mm (2ft)	S: SMD LED

CRI(顯色指數)	CCT(色溫)	COVER(PC 罩類型)
TS2-SD D XXX9X-9W-XXX	TS2-SD XX XX9X-9W-XXX	TS2-SD XX XX9X-9W-XXX
D: ≥ 80 Ra	30: 2500~3500K	B: Haze(擴光霧面罩)
	40: 3500~4500K	
	60: 5500~6500K	

Input Voltage(使用電壓)	Power Factor(功率因數)	Power Specification(電壓類型)
TS2-SDXXX X 9X-9W-XXX	TS2-SDXXX 9 X-9W-XXX	TS2-SDXXX X 9X-9W-XXX
A: AC 175~265V	9: ≥ 0.9	F: No certification(無安規認證)
B: AC 90~140V		C: Safety certification (有安規認證)
C: AC 90~305V		

Wattage(消耗功率)	Certification (安規類型)
TS2-SDXXX9X- 9W -XXX	TS2-SDXXX9X-9W- XXX
9W: 9W	-: BSMI certification (台灣認證)
	CE: CE certification (CE 認證)
	PSE: PSE certification(PSE 認證)

TS2-SDXXX9X-9W-XXX Data Sheet

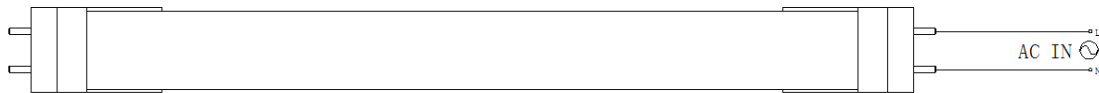
Specifications of Haze Cover Series (擴光霧面罩參數)

Model No. (產品型號)		TS2-SDXXBX9X-9W-XXX	
Parameter (參數)		Min.	Typ.
Power Consumption (W) (消耗功率)			9
Net Weight (g) (產品重量)			180
D30(2500~3500K)	Luminous Flux (lm) (光通量)		940
D40(3500~4500K)	Illuminance @ 1m (lux) (1米照度)	200	
D60(5500~6500K)	Luminous Flux (lm) (光通量)		990
	Illuminance @ 1m (lux) (1米照度)	220	

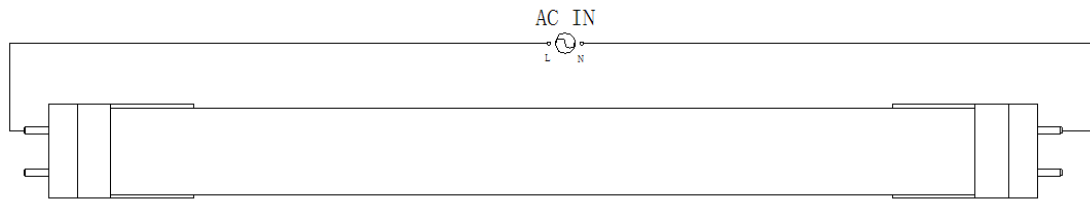
Power Consumption, Weight, Luminous flux measurement allowance is $\pm 15\%$.

All specifications involving life and performance are based upon a 25°C ambient temperature. (以上資料公差為 $\pm 15\%$ 、測試的資料是在25°C的環境溫度下進行)

Wiring diagram without safety procedure certification (無安規電路接線圖)



Power input for unilateral (單邊接線)



Both side of power input (雙邊接線)

Remarks (摘要):

1. Choke ballast(Inductor) can directly to use. (電感式安定器的燈具可直接替換傳統燈管)
2. Electrical ballast need modify circuit then use. (電子式安定器的燈具就要改電路後才能使用)

TS2-SDXXX9X-9W-XXX Data Sheet

Wiring diagram with safety certification (安規認證的電路接線圖)

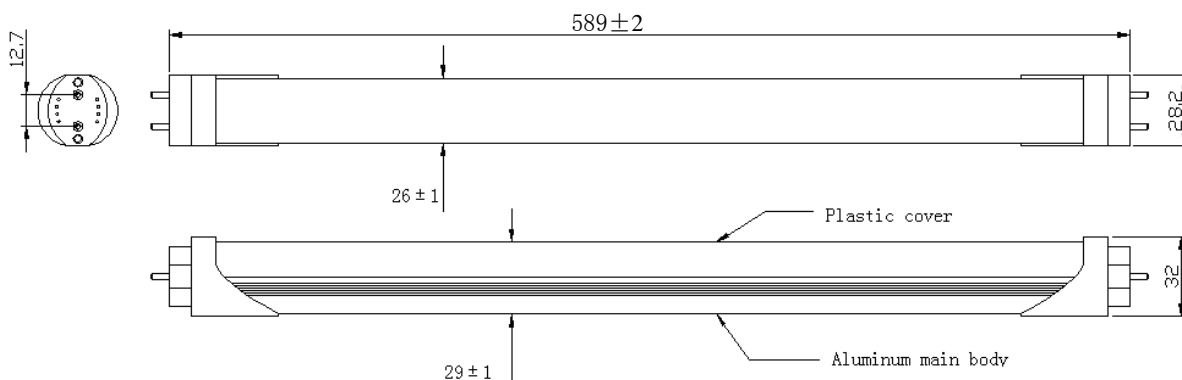


Power input for unilateral (單邊接線)

Remarks (摘要):

1. Choke ballast(Inductor) need modify circuit then use.
(電感式安定器的燈具就要改電路後才能使用)
2. Electrical ballast need modify circuit then use.
(電子式安定器的燈具就要改電路後才能使用)

Mechanical Dimensions (產品尺寸圖)



Notes(注釋): 1. Dimensions are in millimeters (上圖尺寸資料單位為: MM)

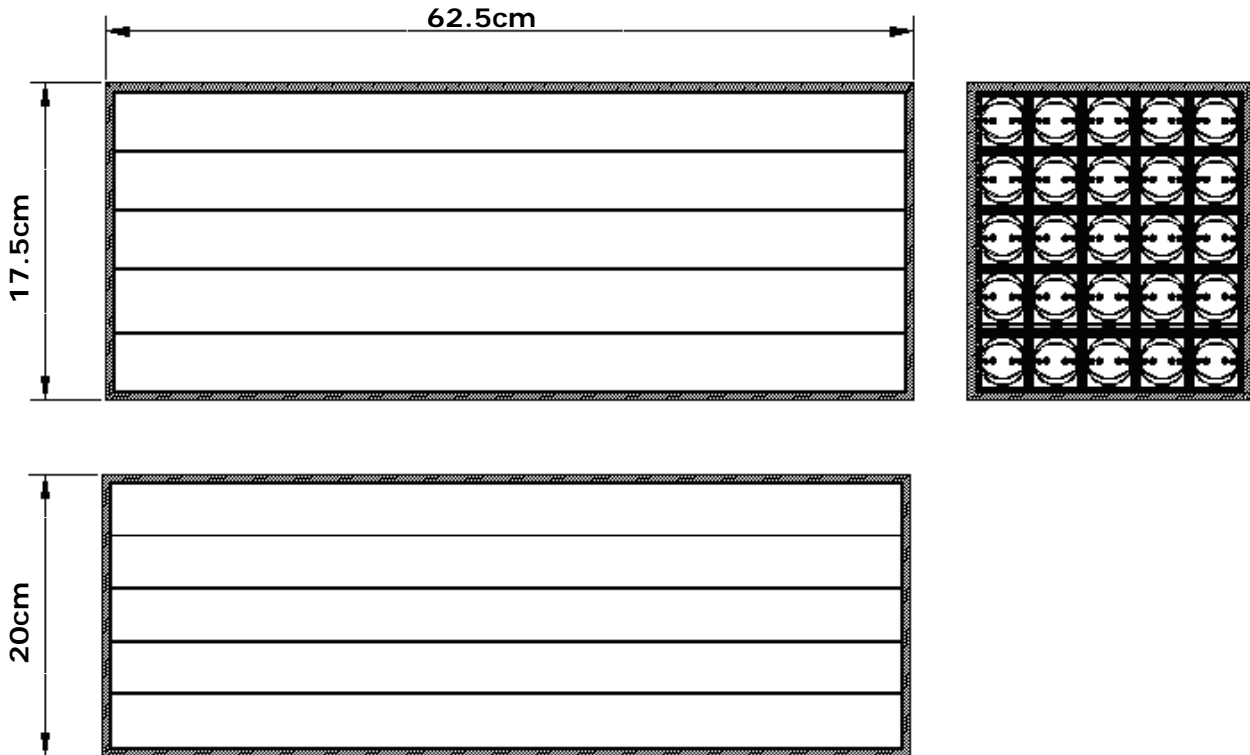
2. Tolerances unless dimensions $\pm 0.5\text{mm}$ (沒注公差的數據公差為: $\pm 0.5\text{mm}$)

TS2-SDXXX9X-9W-XXX Data Sheet

Dimensions of Carton (包裝)

Carton: 25PCS UNIT BOXES (25 支為一箱)

Packing size: 62.5CM(L)*20CM(W)17.5CM(H) (包裝尺寸)



Notes: Tolerances unless dimensions $\pm 5\text{cm}$ (沒注公差的數據公差為： $\pm 5\text{cm}$)

TS2-SDXXX9X-9W-XXX-TW Data Sheet

Features (產品特徵)

- ◆ Light source: SMD LED
(光源: SMD LED)
- ◆ NO UV or IR light radiation
(沒有紫外線和紅外線輻射光)
- ◆ Full range of white colors available
(白光全系列色溫都可選擇)
- ◆ Long Lifetime >40000 hours
(壽命>40000小時)
- ◆ G13 socket Compatible
(相容G13插座)
- ◆ Power consumption up to **9W** for
lengths **580 mm**
(消耗功率: 9W, 燈管長度: 580MM)
- ◆ No mercury and ROHS compliant
(沒有汞可通過無鉛環保認證)



Typical Applications (典型應用)

- ◆ Indoor Lighting (室內照明)
- ◆ Architectural Lighting (建築照明)
- ◆ Office Lighting (辦公照明)
- ◆ T8 Luminaire Replacement (替代傳統 T8 光源)

Product Specifications (產品規格)

Parameter(參數)	Description(描述)
Optical lens (透光罩)	Plastic Cover optical lens(PC 擴光罩)
Housing (主體)	Anodizing Aluminum (鋁合金)
Pin Type (燈頭)	2 copper pins, G13 Standard Size (標準 G13 尺寸、2 個 PIN 針為銅)
Operation Temperature (操作溫度)	-20°C ~ +40°C
Storage Temperature (儲存溫度)	-40°C ~ +70°C

TS2-SDXXX9X-9W-XXX-TW Data Sheet

Part Number Explanation (產品編碼)

Model(產品類型)	Length(長度規格)	LED Type(LED 類型)
TS2-SDXXX9X-9W-XXX-TW	TS2-SDXXX9X-9W-XXX-TW	TS2- S DXXX9X-9W-XXX-TW
TS: T8..Oval-Shaped (T8 橢圓燈管)	2: 580mm (2ft)	S: SMD LED

CRI(顯色指數)	CCT(色溫)	COVER(PC 罩類型)
TS2- S DXXX9X-9W-XXX-TW	TS2-SD XX XX9X-9W-XXX-TW	TS2-SDXX X X9X-9W-XXX-TW
D: ≥ 80 Ra	30: 2500~3500K	B: Haze(擴光霧面罩)
	40: 3500~4500K	
	60: 5500~6500K	

Input Voltage(使用電壓)	Power Factor(功率因數)	Power Specification(電壓類型)
TS2-SDXXX X 9X-9W-XXX-TW	TS2-SDXXX 9 X-9W-XXX-TW	TS2-SDXXX9 X -9W-XXX-TW
A: AC 175~265V	9: ≥ 0.9	F: No certification(無安規認證)
B: AC 90~140V		C: Safety certification (有安規認證)
C: AC 90~305V		

Wattage(消耗功率)	Certification (安規類型)	Specific Grade (特別代碼)
TS2-SDXXX9X- 9W -XXX-TW	TS2-SDXXX9X-9W- XXX -TW	TS2-SDXXX9X-9W-XXX- TW
9W: 9W	-: BSMI certification (台灣認證)	TW: Taiwan's specification (臺灣地區)
	CE: CE certification (CE 認證)	
	PSE: PSE certification(PSE 認證)	

TS2-SDXXX9X-9W-XXX-TW Data Sheet

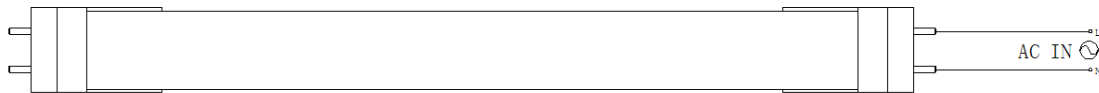
Specifications of Haze Cover Series (擴光霧面罩參數)

Model No. (產品型號)		TS2-SDXXBX9X-9W-XXX-TW	
Parameter (參數)		Min.	Typ.
Power Consumption (W) (消耗功率)			9
Net Weight (g) (產品重量)			180
D30(2500~3500K)	Luminous Flux (lm) (光通量)		940
D40(3500~4500K)	Illuminance @ 1m (lux) (1米照度)	200	
D60(5500~6500K)	Luminous Flux (lm) (光通量)		990
	Illuminance @ 1m (lux) (1米照度)	220	

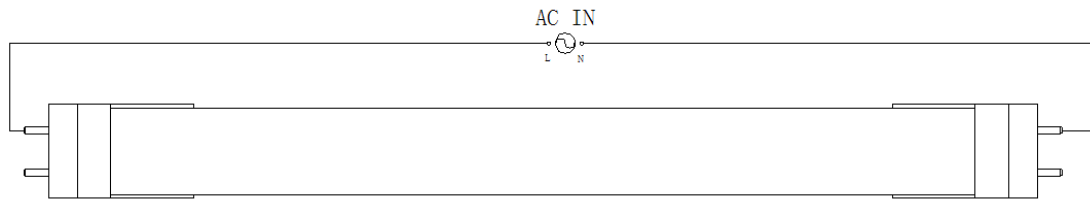
Power Consumption, Weight, Luminous flux measurement allowance is $\pm 15\%$.

All specifications involving life and performance are based upon a 25°C ambient temperature. (以上資料公差為 $\pm 15\%$ 、測試的資料是在25°C的環境溫度下進行)

Wiring diagram without safety procedure certification(無安規電路接線圖)



Power input for unilateral (單邊接線)



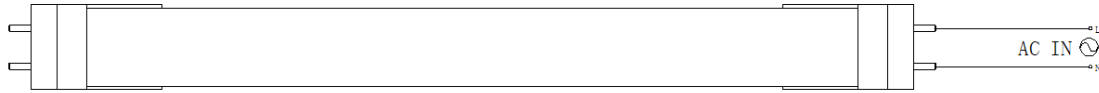
Both side of power input (雙邊接線)

Remarks (摘要) :

1. Choke ballast(Inductor) can directly to use. (電感式安定器的燈具可直接替換傳統燈管)
2. Electrical ballast need modify circuit then use. (電子式安定器的燈具就要改電路後才能使用)

TS2-SDXXX9X-9W-XXX-TW Data Sheet

Wiring diagram with safety certification (安規認證的電路接線圖)

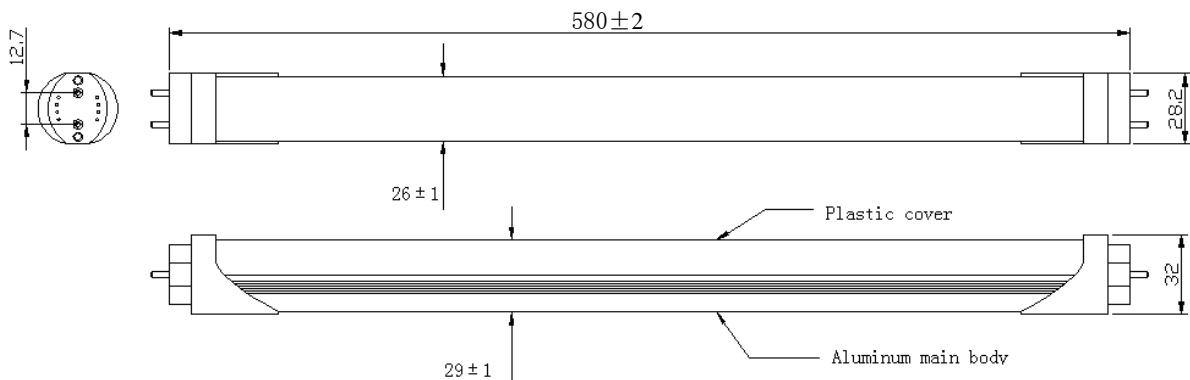


Power input for unilateral (單邊接線)

Remarks (摘要):

1. Choke ballast(Inductor) need modify circuit then use.
(電感式安定器的燈具就要改電路後才能使用)
2. Electrical ballast need modify circuit then use.
(電子式安定器的燈具就要改電路後才能使用)

Mechanical Dimensions (產品尺寸圖)



Notes(注釋): 1. Dimensions are in millimeters (上圖尺寸資料單位為: MM)

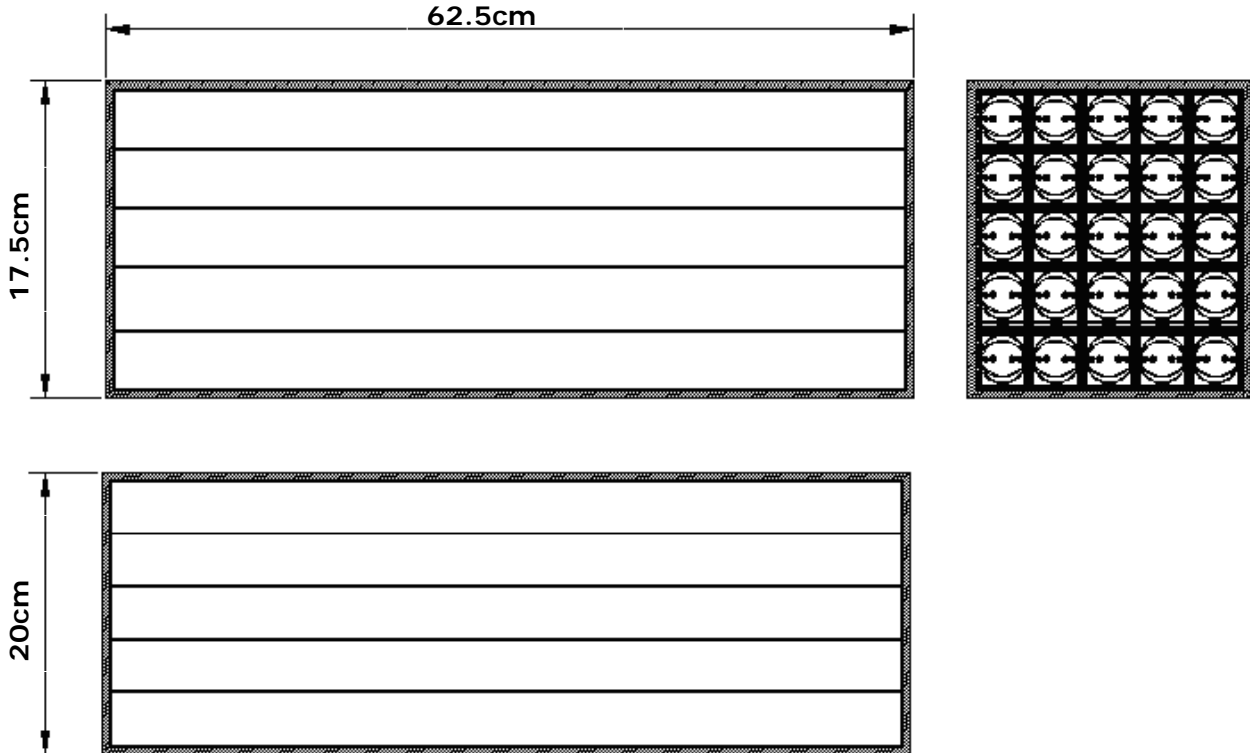
2. Tolerances unless dimensions $\pm 0.5\text{mm}$ (沒注公差的數據公差為: $\pm 0.5\text{mm}$)

TS2-SDXXX9X-9W-XXX-TW Data Sheet

Dimensions of Carton (包裝)

Carton: 25PCS UNIT BOXES (25 支為一箱)

Packing size: 62.5CM(L)*20CM(W)17.5CM(H) (包裝尺寸)



Notes: Tolerances unless dimensions $\pm 5\text{cm}$ (沒注公差的數據公差為： $\pm 5\text{cm}$)

TS3-SDXXX9X-13W-XXX Data Sheet

Features (產品特徵)

- ◆ Light source: SMD LED
(光源: SMD LED)
- ◆ NO UV or IR light radiation
(沒有紫外線和紅外線輻射光)
- ◆ Full range of white colors available
(白光全系列色溫都可選擇)
- ◆ Long Lifetime >40000 hours
(壽命>40000小時)
- ◆ G13 socket Compatible
(相容G13插座)
- ◆ Power consumption up to **13W** for
lengths **894 mm**
(消耗功率: 13W, 燈管長度: 894MM)
- ◆ No mercury and ROHS compliant
(沒有汞可通過無鉛環保認證)



Typical Applications (典型應用)

- ◆ Indoor Lighting (室內照明)
- ◆ Architectural Lighting (建築照明)
- ◆ Office Lighting (辦公照明)
- ◆ T8 Luminaire Replacement (替代傳統 T8 光源)

Product Specifications (產品規格)

Parameter(參數)	Description(描述)
Optical lens (透光罩)	Plastic Cover optical lens(PC 擴光罩)
Housing (主體)	Anodizing Aluminum (鋁合金)
Pin Type (燈頭)	2 copper pins, G13 Standard Size (標準 G13 尺寸、2 個 PIN 針為銅)
Operation Temperature (操作溫度)	-20°C ~ +40°C
Storage Temperature (儲存溫度)	-40°C ~ +70°C

TS3-SDXXX9X-13W-XXX Data Sheet

Part Number Explanation (產品編碼)

Model(產品類型)	Length(長度規格)	LED Type(LED 類型)
TS3 -SDXXX9X-13W-XXX	TS 3 -SDXXX9X-13W-XXX	TS3-SDXXX9X-13W-XXX
TS: T8..Oval-Shaped (T8 橢圓燈管)	3: 894mm (3ft)	S: SMD LED

CRI(顯色指數)	CCT(色溫)	COVER(PC 罩類型)
TS3-SD D XXX9X-13W-XXX	TS3-SD XX XX9X-13W-XXX	TS3-SD XX XX9X-13W-XXX
D: ≥ 80 Ra	30: 2500~3500K	B: Haze(擴光霧面罩)
	40: 3500~4500K	
	60: 5500~6500K	

Input Voltage(使用電壓)	Power Factor(功率因數)	Power Specification(電壓類型)
TS3-SDXXX X 9X-13W-XXX	TS3-SDXXX 9 X-13W-XXX	TS3-SDXXX9 X -13W-XXX
A: AC 175~265V	9: ≥ 0.9	F: No certification(無安規認證)
B: AC 90~140V		C: Safety certification (有安規認證)
C: AC 90~305V		

Wattage(消耗功率)	Certification (安規類型)
TS3-SDXXX9X- 13W -XXX	TS3-SDXXX9X-13W- XXX
13W: 13W	-: BSMI certification (台灣認證)
	CE: CE certification (CE 認證)
	PSE: PSE certification(PSE 認證)

TS3-SDXXX9X-13W-XXX Data Sheet

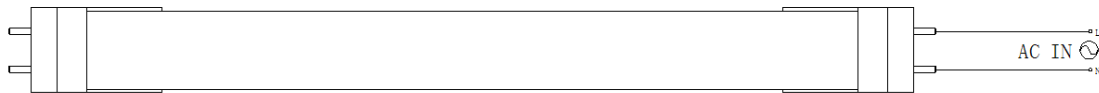
Specifications of Haze Cover Series (擴光霧面罩參數)

Model No. (產品型號)		TS3-SDXXBX9X-13W-XXX	
Parameter (參數)		Min.	Typ.
Power Consumption (W) (消耗功率)			13
Net Weight (g) (產品重量)			255
D30(2500~3500K)	Luminous Flux (lm) (光通量)		1350
D40(3500~4500K)	Illuminance @ 1m (lux) (1米照度)	280	
D60(5500~6500K)	Luminous Flux (lm) (光通量)		1430
	Illuminance @ 1m (lux) (1米照度)	310	

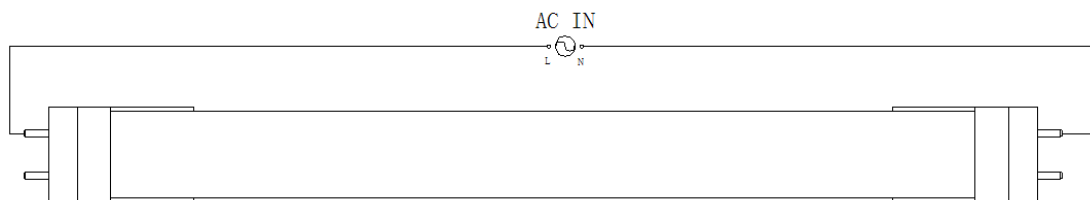
Power Consumption, Weight, Luminous flux measurement allowance is $\pm 15\%$.

All specifications involving life and performance are based upon a 25°C ambient temperature. (以上資料公差為 $\pm 15\%$ 、測試的資料是在25°C的環境溫度下進行)

Wiring diagram without safety procedure certification (無安規電路接線圖)



Power input for unilateral (單邊接線)



Both side of power input (雙邊接線)

Remarks (摘要):

1. Choke ballast(Inductor) can directly to use. (電感式安定器的燈具可直接替換傳統燈管)
2. Electrical ballast need modify circuit then use. (電子式安定器的燈具就要改電路後才能使用)

TS3-SDXXX9X-13W-XXX Data Sheet

Wiring diagram with safety certification (安規認證的電路接線圖)

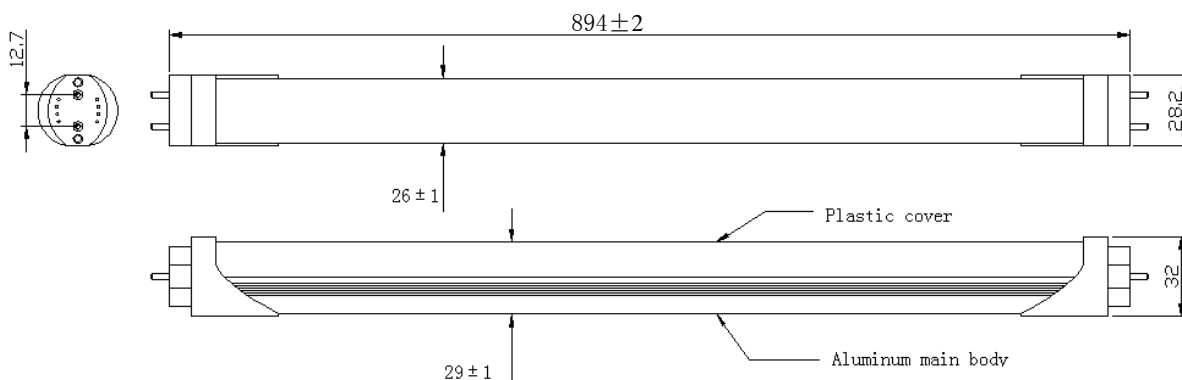


Power input for unilateral (單邊接線)

Remarks (摘要):

1. Choke ballast(Inductor) need modify circuit then use.
(電感式安定器的燈具就要改電路後才能使用)
2. Electrical ballast need modify circuit then use.
(電子式安定器的燈具就要改電路後才能使用)

Mechanical Dimensions (產品尺寸圖)



Notes(注釋): 1. Dimensions are in millimeters (上圖尺寸資料單位為: MM)

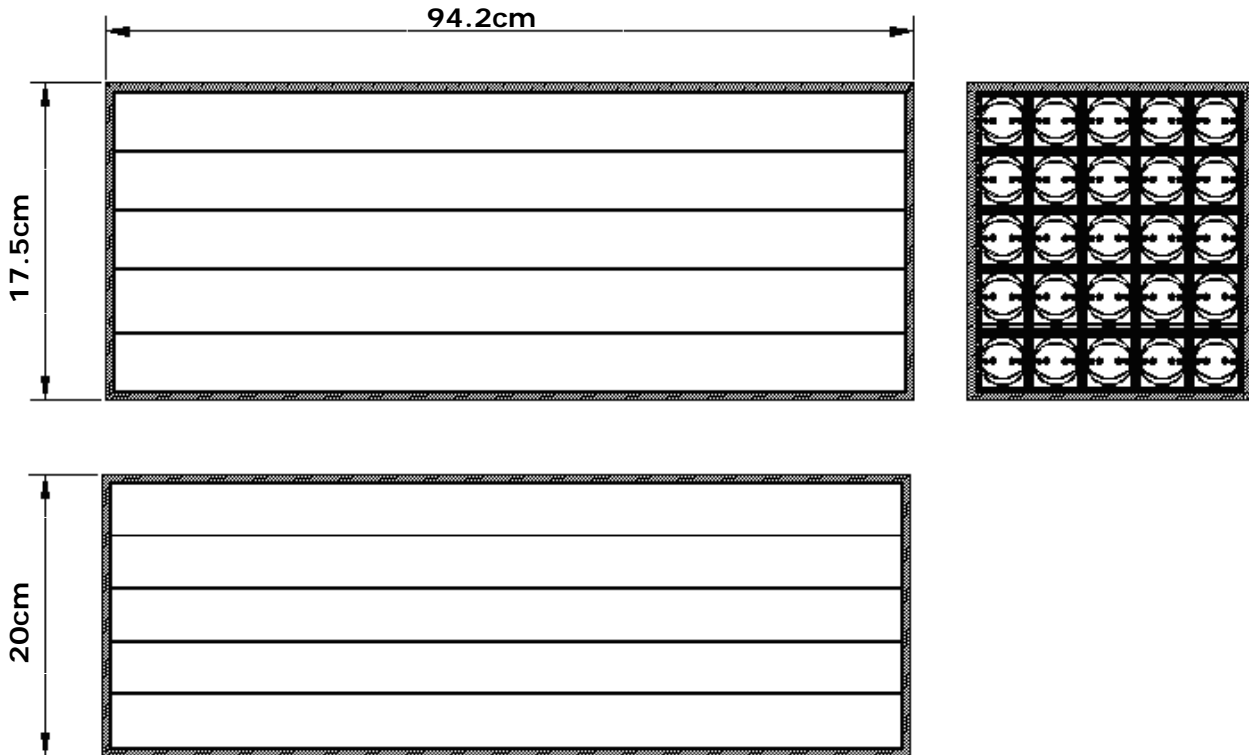
2. Tolerances unless dimensions $\pm 0.5\text{mm}$ (沒注公差的數據公差為: $\pm 0.5\text{mm}$)

TS3-SDXXX9X-13W-XXX Data Sheet

Dimensions of Carton (包裝)

Carton: 25PCS UNIT BOXES (25 支為一箱)

Packing size: 94.2CM(L)*20CM(W)17.5CM(H) (包裝尺寸)



Notes: Tolerances unless dimensions $\pm 5\text{cm}$ (沒注公差的數據公差為： $\pm 5\text{cm}$)

TS4-SDXXX9X-18W-XXX Data Sheet

Features (產品特徵)

- ◆ Light source: SMD LED
(光源: SMD LED)
- ◆ NO UV or IR light radiation
(沒有紫外線和紅外線輻射光)
- ◆ Full range of white colors available
(白光全系列色溫都可選擇)
- ◆ Long Lifetime >40000 hours
(壽命>40000小時)
- ◆ G13 socket Compatible
(相容G13插座)
- ◆ Power consumption up to **18W** for
lengths **1198 mm**
(消耗功率: 18W, 燈管長度: 1198MM)
- ◆ No mercury and ROHS compliant
(沒有汞可通過無鉛環保認證)



Typical Applications (典型應用)

- ◆ Indoor Lighting (室內照明)
- ◆ Architectural Lighting (建築照明)
- ◆ Office Lighting (辦公照明)
- ◆ T8 Luminaire Replacement (替代傳統 T8 光源)

Product Specifications (產品規格)

Parameter(參數)	Description(描述)
Optical lens (透光罩)	Plastic Cover optical lens(PC 擴光罩)
Housing (主體)	Anodizing Aluminum (鋁合金)
Pin Type (燈頭)	2 copper pins, G13 Standard Size (標準 G13 尺寸、2 個 PIN 針為銅)
Operation Temperature (操作溫度)	-20°C ~ +40°C
Storage Temperature (儲存溫度)	-40°C ~ +70°C

TS4-SDXXX9X-18W-XXX Data Sheet

Part Number Explanation (產品編碼)

Model(產品類型)	Length(長度規格)	LED Type(LED 類型)
TS4 -SDXXX9X-18W-XXX	TS 4 -SDXXX9X-18W-XXX	TS4-SDXXX9X-18W-XXX
TS: T8..Oval-Shaped (T8 橢圓燈管)	4: 1198mm (4ft)	S: SMD LED

CRI(顯色指數)	CCT(色溫)	COVER(PC 罩類型)
TS4-SD D XXX9X-18W-XXX	TS4-SD XX XX9X-18W-XXX	TS4-SD XX XX9X-18W-XXX
D: ≥ 80 Ra	30: 2500~3500K	B: Haze(擴光霧面罩)
	40: 3500~4500K	
	60: 5500~6500K	

Input Voltage(使用電壓)	Power Factor(功率因數)	Power Specification(電壓類型)
TS4-SDXXX X 9X-18W-XXX	TS4-SDXXX 9 X-18W-XXX	TS4-SDXXX9 X -18W-XXX
A: AC 175~265V	9: ≥ 0.9	F: No certification(無安規認證)
B: AC 90~140V		C: Safety certification (有安規認證)
C: AC 90~305V		

Wattage(消耗功率)	Certification (安規類型)
TS4-SDXXX9X- 18W -XXX	TS4-SDXXX9X-18W- XXX
18W: 18W	-: BSMI certification (台灣認證)
	CE: CE certification (CE 認證)
	PSE: PSE certification(PSE 認證)

TS4-SDXXX9X-18W-XXX Data Sheet

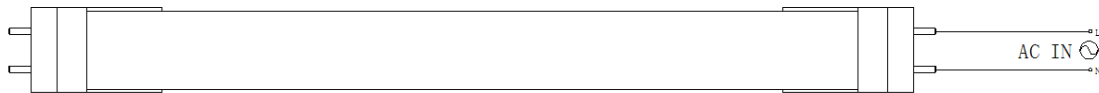
Specifications of Haze Cover Series (擴光霧面罩參數)

Model No. (產品型號)		TS4-SDXXBX9X-18W-XXX	
Parameter (參數)		Min.	Typ.
Power Consumption (W) (消耗功率)			18
Net Weight (g) (產品重量)			300
D30(2500~3500K)	Luminous Flux (lm) (光通量)		1880
D40(3500~4500K)	Illuminance @ 1m (lux) (1米照度)	400	
D60(5500~6500K)	Luminous Flux (lm) (光通量)		1980
	Illuminance @ 1m (lux) (1米照度)	440	

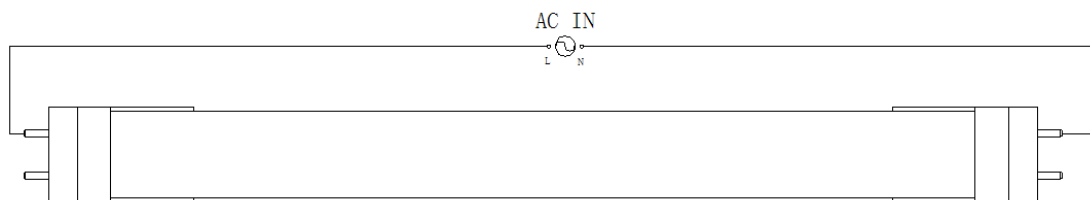
Power Consumption, Weight, Luminous flux measurement allowance is $\pm 15\%$.

All specifications involving life and performance are based upon a 25°C ambient temperature. (以上資料公差為 $\pm 15\%$ 、測試的資料是在25°C的環境溫度下進行)

Wiring diagram without safety procedure certification (無安規電路接線圖)



Power input for unilateral (單邊接線)



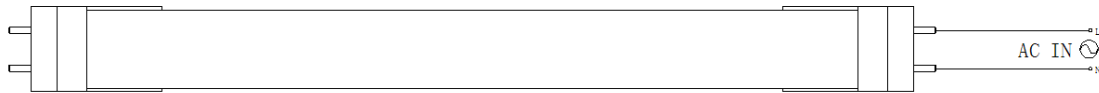
Both side of power input (雙邊接線)

Remarks (摘要):

1. Choke ballast(Inductor) can directly to use. (電感式安定器的燈具可直接替換傳統燈管)
2. Electrical ballast need modify circuit then use. (電子式安定器的燈具就要改電路後才能使用)

TS4-SDXXX9X-18W-XXX Data Sheet

Wiring diagram with safety certification (安規認證的電路接線圖)

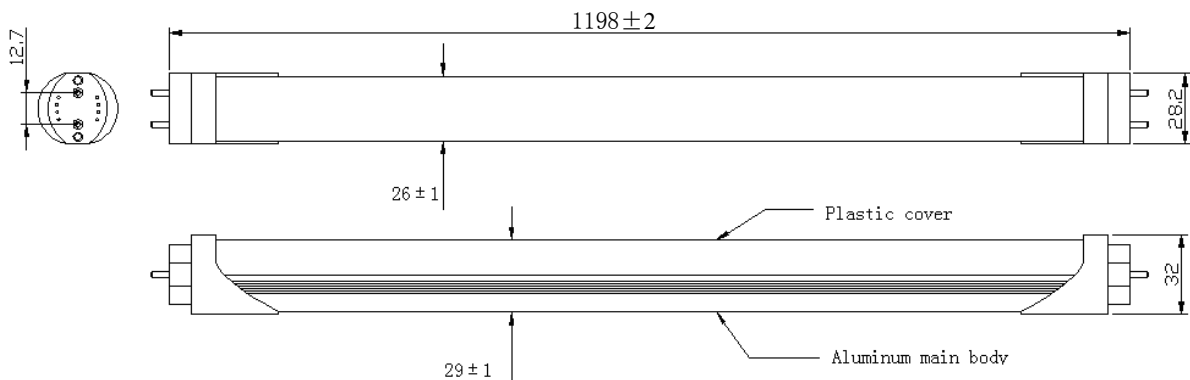


Power input for unilateral (單邊接線)

Remarks (摘要):

1. Choke ballast(Inductor) need modify circuit then use.
(電感式安定器的燈具就要改電路後才能使用)
2. Electrical ballast need modify circuit then use.
(電子式安定器的燈具就要改電路後才能使用)

Mechanical Dimensions (產品尺寸圖)



Notes(注釋): 1. Dimensions are in millimeters (上圖尺寸資料單位為: MM)

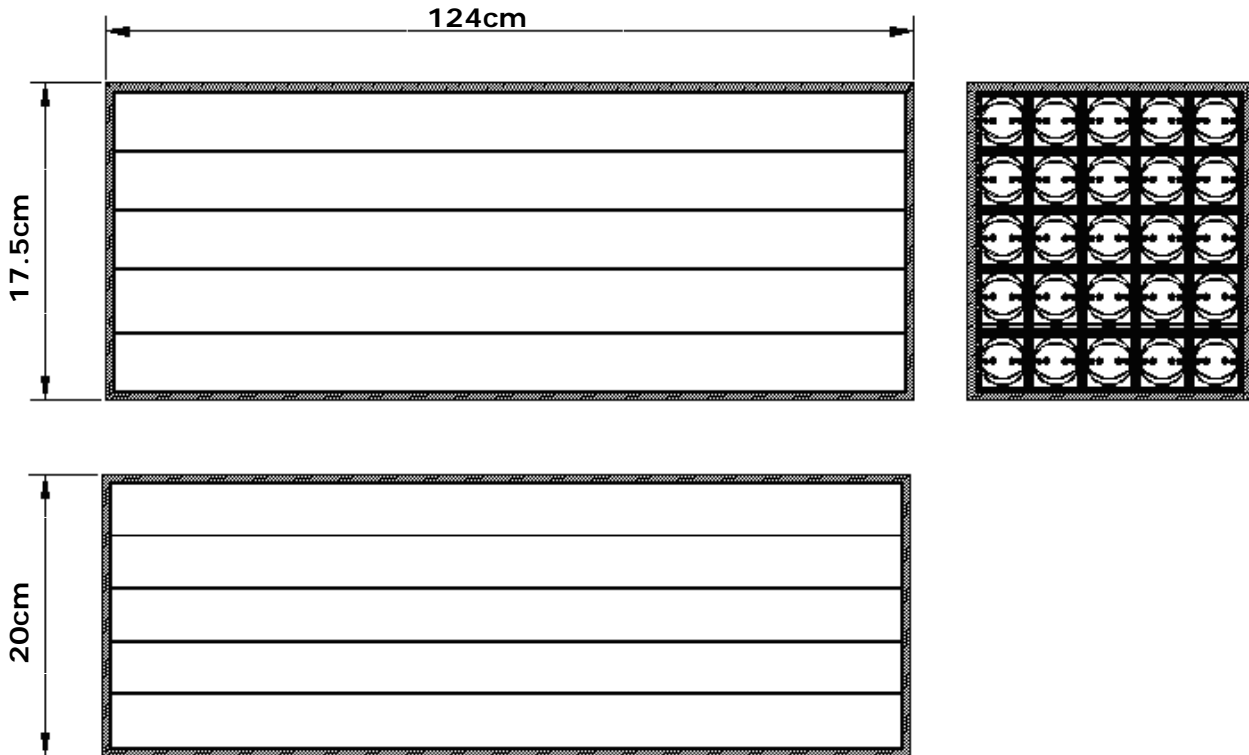
2. Tolerances unless dimensions $\pm 0.5\text{mm}$ (沒注公差的數據公差為: $\pm 0.5\text{mm}$)

TS4-SDXXX9X-18W-XXX Data Sheet

Dimensions of Carton (包裝)

Carton: 25PCS UNIT BOXES (25 支為一箱)

Packing size: 124CM(L)*20CM(W)17.5CM(H) (包裝尺寸)



Notes: Tolerances unless dimensions $\pm 5\text{cm}$ (沒注公差的數據公差為： $\pm 5\text{cm}$)