

TD2-SDXEC8X-5W Data Sheet

Features (產品特徵)

- ◆ Light source: SMD LED
(光源:SMD LED)
- ◆ NO UV or IR light radiation
(沒有紫外線和紅外線輻射光)
- ◆ Full range of white colors available
(白光全系列色溫都可選擇)
- ◆ Long Lifetime >40000 hours
(壽命>40000小時)
- ◆ Power consumption up to **5W** for
Hole diameter **70 mm**
(消耗功率:**5W**, 開孔直徑:**70MM**)
- ◆ Illuminant direction rotating 60 °
光源照射方向可轉動60°
- ◆ No mercury and ROHS compliant
(沒有汞可通過無鉛環保認證)



Typical Applications(典型應用)

- ◆ Indoor Lighting (室內照明)
- ◆ Architectural Lighting (建築照明)
- ◆ Office Lighting (辦公照明)

Product Specifications (產品規格)

Parameter(參數)	Description(描述)
Optical lens(透光罩)	Plastic Cover optical lens (光學透鏡)
Housing (主體)	Anodizing Aluminum(鋁合金)
Operation Temperature(操作溫度)	-20°C ~ +40°C
Storage Temperature(儲存溫度)	-40°C ~ +70°C
Ac to DC Power Supply(驅動電源參數)	AC input and 36 VDC (max) /Constant current 135mA output (最大電壓 DC36V/恒電流 135MA)

TD2-SDXXEC8X-5W Data Sheet

Part Number Explanation

Model(產品類型)	Special code(尺寸規格)	LED Type(LED 類型)
TD2 -SDXXEC8X-5W	TD 2 -SDXXEC8X-5W	TD2- S DXXEC8X-5W
TD: Down Light (小天花燈)	2: 2.5" (2.5 寸)	S: SMD LED

CRI(顯色指數)	CCT(色溫)	Cover(PC 罩放置面)
TD2- S DXXEC8X-5W	TD2-SD XX EC8X-5W	TD2-SDXX E C8X-5W
D: ≥ 80 Ra	30: 2500~3500K	E: 25°
	40: 3500~4500K	H: 45°
	60: 5500~6500K	K: 60°

Input Voltage(使用電壓)	Power Factor(功率因數)	Power Specification (電源類型)
TD2-SDXXE C 8X-5W	TD2-SDXXEC 8 X-5W	TD2-SDXXEC8 X -5W
A: AC 175~265V	8: PF \geq 0.8	C: Power with CE(有 CE 電源)
B: AC 90~140V	5: No Factor (無功率因數)	F: Power without CE(無 CE 電源)
C: AC 90~265V		

Wattage(消耗功率)	
TD2-SDXXEC8X- 5W	
5W : 5W	

Photoelectric parameters (光電參數)

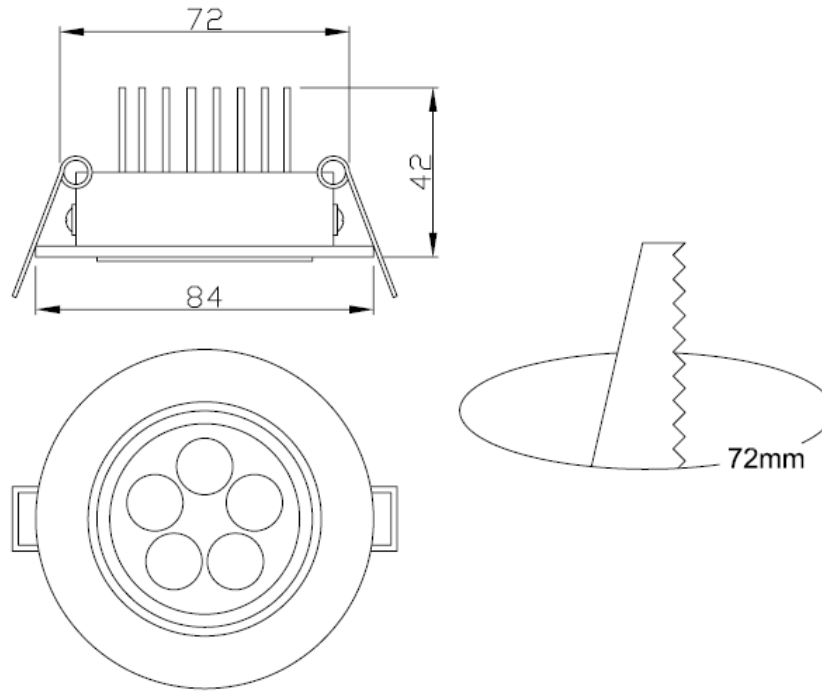
Model No. (產品型號)		TD2-SDXXEC8X-5W	
Parameter (參數)		Min.	Typ.
Power Consumption (W) (消耗功率)			5
Net Weight (g) (產品重量)			125
Power Supply Weight (g) (驅動電源重量)			25
View Angle (°) (發光角度)			25°
D30(2500~3500K)	Luminous Flux (lm) (光通量)		380
D40(3500~4500K)	Illuminance @ 1m (lux) (1 米照度)	900	
D60(5500~6500K)	Luminous Flux (lm) (光通量)		420
	Illuminance @ 1m (lux) (1 米照度)	1000	

Power Consumption, Weight, Luminous flux measurement allowance is $\pm 15\%$.

All specifications involving life and performance are based upon a 25°C ambient temperature. (以上資料公差為 $\pm 15\%$ 、測試的資料是在25°C的環境溫度下進行)

TD2-SDXxEC8X-5W Data Sheet

Mechanical Dimensions (產品尺寸圖)

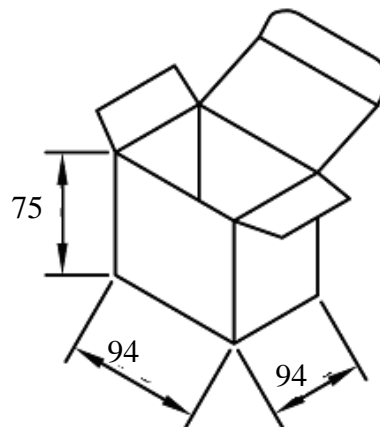


Notes(注釋): 1. Dimensions are in millimeters (上圖尺寸資料單位為：MM)

2. Tolerances unless dimensions $\pm 0.5\text{mm}$ (沒注公差的數據公差為： $\pm 0.5\text{mm}$)

Dimensions of Carton (產品包裝)

1. Single Unit:(內盒)

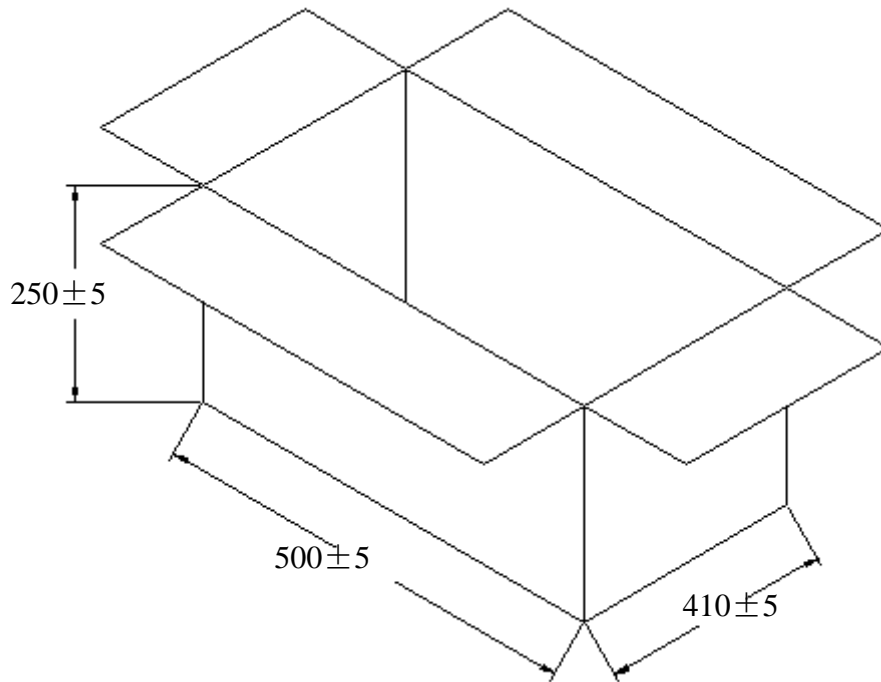


Notes(注釋): 1. Dimensions are in millimeters (上圖尺寸資料單位為：MM)

2. Tolerances unless dimensions $\pm 2.5\text{mm}$ (沒注公差的數據公差為： $\pm 2.5\text{mm}$)

TD2-SDXXEC8X-5W Data Sheet

Carton: 60 PCS Unit Boxes (60 個為一箱)



Notes: Dimensions are in millimeters. (上圖尺寸資料單位為：MM)