

CD6-SDXXC9X-15W Data Sheet

Features (產品特徵)

- ◆ Light source: SMD LED
(光源:SMD LED)
- ◆ NO UV or IR light radiation
(沒有紫外線和紅外線輻射光)
- ◆ Full range of white colors available
(白光全系列色溫都可選擇)
- ◆ Long Lifetime >40000 hours
(壽命>40000小時)
- ◆ Power consumption up to **15W**
(消耗功率:**15W**)
- ◆ No mercury and ROHS compliant
(沒有汞可通過無鉛環保認證)



Typical Applications(典型應用)

- ◆ Indoor Lighting (室內照明)
- ◆ Architectural Lighting (建築照明)
- ◆ Office Lighting (辦公照明)

Product Specifications (產品規格)

Parameter(參數)	Description(描述)
Optical lens (透光罩)	Plastic Cover optical lens(PC 擴光罩)
Housing (主體)	Anodizing Aluminum(鋁合金)
Operation Temperature(操作溫度)	-20°C ~ +40°C
Storage Temperature(儲存溫度)	-40°C ~ +70°C
Ac to DC Power Supply(驅動電源參數)	AC input and 40 VDC (max) /Constant current 330mA output (最大電壓 DC40V/恒電流 330MA)

CD6-SDXXXC9X-15W Data Sheet

Part Number Explanation

Model(產品類型)	Special code(尺寸規格)	LED Type(LED 類型)
CD6 -SDXXXC9X-15W	CD 6 -SDXXXC9X-15W	CD6- S DXXXC9X-15W
D: Down Light (明裝筒燈)	6: 6" (6 寸)	S: SMD LED

CRI(顯色指數)	CCT(色溫)	Product color (產品外型顏色)
CD6- S DXXXC9X-15W	CD6-SD XX XC9X-15W	CD6-SDXX X C9X-15W
D: ≥ 80 Ra	30: 2500~3500K	W: White (白色)
	40: 3500~4500K	B: Bblack (黑色)
	60: 5500~6500K	

Input Voltage(使用電壓)	Power Factor(功率因數)	Power Specification (電源類型)
CD6-SDXXX C 9X-15W	CD6-SDXXXC 9 X-15W	CD6-SDXXXC9 X -15W
A: AC 175~265V	9: PF \geq 0.9	-: Power with CE(有 CE 電源)
B: AC 90~140V	5: No Factor (無功率因數)	F: Power without CE(無 CE 電源)
C: AC 90~265V		

Wattage(消耗功率)
CD6-SDXXXC9X- 15W
15W : 15W

Photoelectric parameters (光電參數)

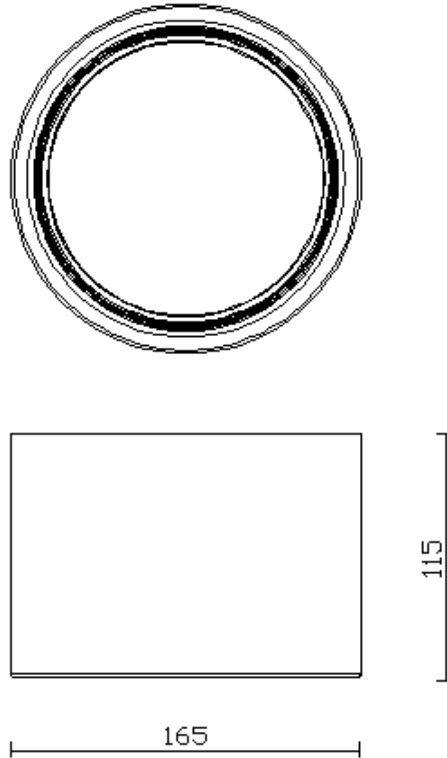
Model No. (產品型號)	CD6-SDXXXC9X-15W	
Parameter (參數)	Min.	Typ.
Power Consumption (W) (消耗功率)		15
Net Weight (g) (產品重量)		600
D30(2500~3500K)	Luminous Flux (lm) (光通量)	
		1140
D40(3500~4500K)	Illuminance @ 1m (lux) (1 米照度)	
	380	
D60(5500~6500K)	Luminous Flux (lm) (光通量)	
		1270
	Illuminance @ 1m (lux) (1 米照度)	
	430	

Power Consumption, Weight, Luminous flux measurement allowance is $\pm 15\%$.

All specifications involving life and performance are based upon a 25°C ambient temperature. (以上資料公差為 $\pm 15\%$ 、測試的資料是在25°C的環境溫度下進行)

CD6-SDXXC9X-15W Data Sheet

Mechanical Dimensions (產品尺寸圖)

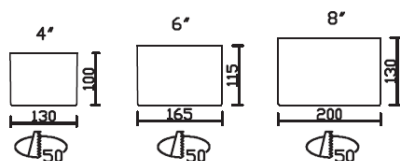
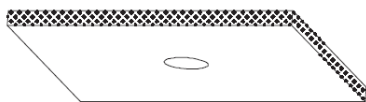


Notes(注釋): 1. Dimensions are in millimeters (上圖尺寸資料單位為：MM)

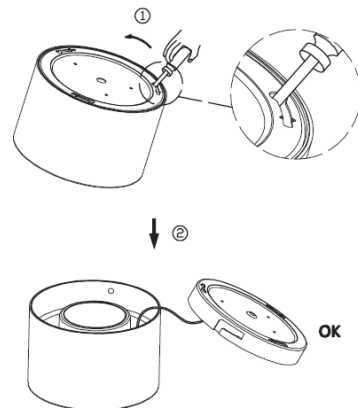
2. Tolerances unless dimensions $\pm 0.5\text{mm}$ (沒注公差的數據公差為： $\pm 0.5\text{mm}$)

Installation(安裝)

1.

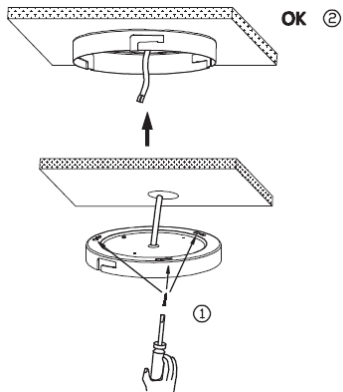


2.

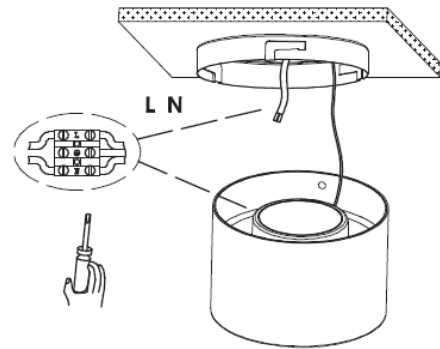


CD6-SDXXC9X-15W Data Sheet

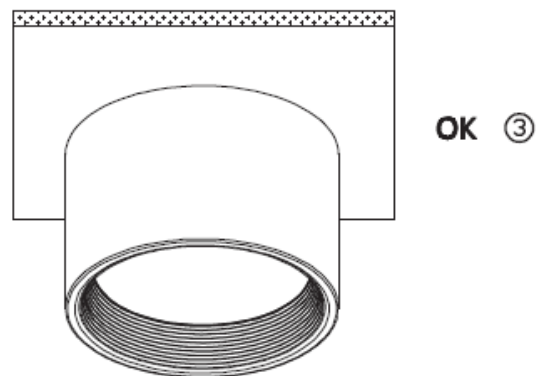
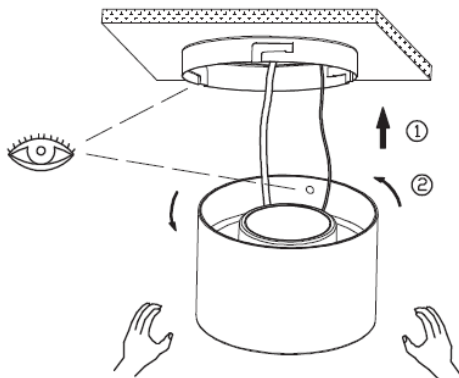
3.



4.

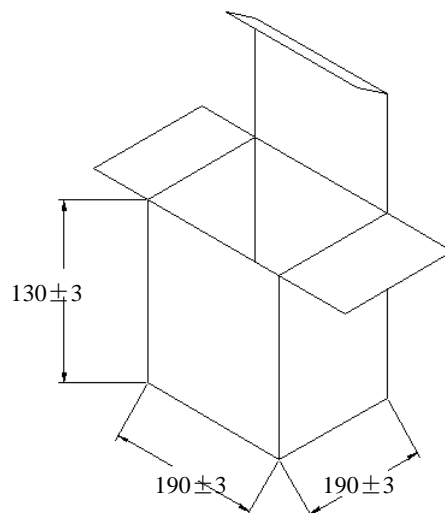


5.



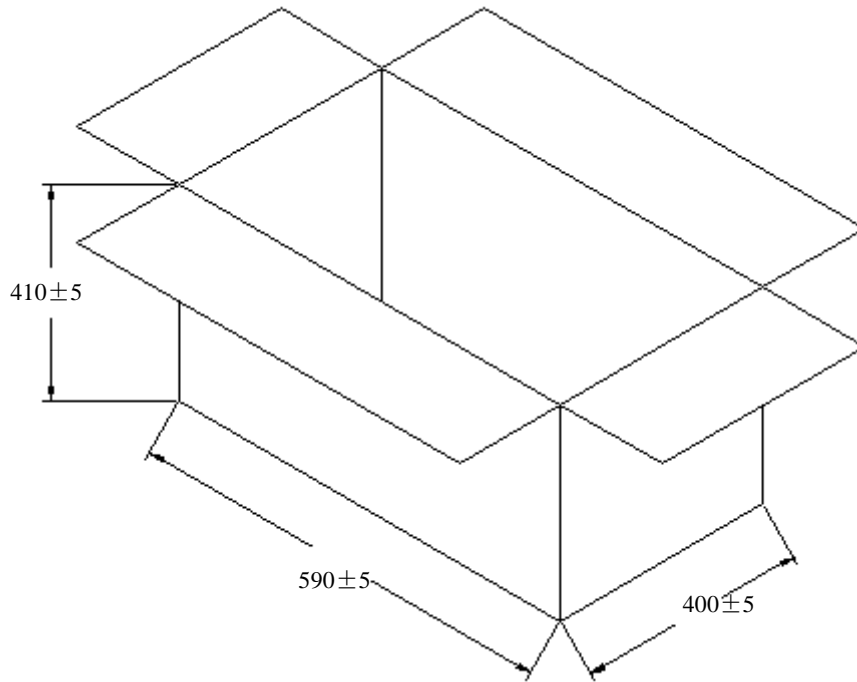
Dimensions of Carton (產品包裝)

1. Single Unit:(內盒)



CD6-SDXXC9X-15W Data Sheet

2. Carton: 18 PCS Unit Boxes (18 個為一箱)



Notes: Dimensions are in millimeters. (上圖尺寸資料單位為：MM)