

WG82-SDXXPC5X-9W Data Sheet

Features (產品特徵)

- ◆ Light source: SMD LED
(光源:SMD LED)
- ◆ NO UV or IR light radiation
(沒有紫外線和紅外線輻射光)
- ◆ Full range of white colors available
(白光全系列色溫都可選擇)
- ◆ Long Lifetime >40000 hours
(壽命>40000小時)
- ◆ Waterproof level : IP65
(防水等級 : IP65)
- ◆ Power consumption up to **9W** for lengths **590 mm**
(消耗功率:9W, 燈管長度:590MM)
- ◆ No mercury and ROHS compliant
(沒有汞可通過無鉛環保認證)



Typical Applications (典型應用)

- ◆ Advertising Lighting (廣告招牌照明)
- ◆ Refrigerator、Freezer Lighting (冰箱、冰櫃照明)
- ◆ Bathroom Lighting (浴室照明)
- ◆ Plant cultivation、Aquatic storage Lighting (植物栽培、水產儲藏照明)

Product Specifications (產品規格)

| Parameter(參數) | Description(描述) |
|---------------------------------|-------------------------|
| Plug (堵头) | Plastic material (塑膠材料) |
| Housing (主體) | Glass (玻璃) |
| Waterproof level (防水等級) | IP65 |
| Operation Temperature (操作溫度) | -20°C ~ +40°C |
| Storage Temperature (儲存溫度) | -40°C ~ +70°C |

WG82-SDXXPC5X-9W Data Sheet

Part Number Explanation (產品編碼)

| Model(產品類型) | Name(產品名稱) | Length(長度規格) |
|----------------------------|----------------------------|---------------------------|
| W G82-SDXXPC5X-9W | WG 82 -SDXXPC5X-9W | WG 82 -SDXXPC5X-9W |
| W: Waterproof Tubes (防水燈管) | G8:T8 Glass tube (T8 玻璃燈管) | 2: 590mm (2ft) |

| LED Type(LED 類型) | CRI(顯色指數) | CCT(色溫) |
|---------------------------|----------------------------|---------------------------|
| WG82- S DXXPC5X-9W | WG82-SD D XXPC5X-9W | WG82-SD XX PC5X-9W |
| S: SMD LED | D: ≥ 80 Ra | 30: 2500~3500K |
| | | 40: 3500~4500K |
| | | 60: 5500~6500K |

| COVER(PC 罩類型) | Input Voltage(使用電壓) | Power Factor(功率因數) |
|---------------------------|---------------------------|---------------------------|
| WG82-SDXX P C5X-9W | WG82-SDXX P C5X-9W | WG82-SDXXPC 5 X-9W |
| P: Powder Tube (玻璃粉管) | A: AC 175~265V | 5: ≥ 0.5 |
| | C: AC 90~305V | |

| Power Specification(電壓類型) | Wattage(消耗功率) |
|---|--------------------------|
| WG82-SDXXPC5 X -9W | WG82-SDXXPC5X- 9W |
| F: Non-Isolated without CE(非隔離無安規電源) | 9W: 9W |
| C: Non-Isolated Power with CE (非隔離安規電源) | |

Photoelectric parameters (光電參數)

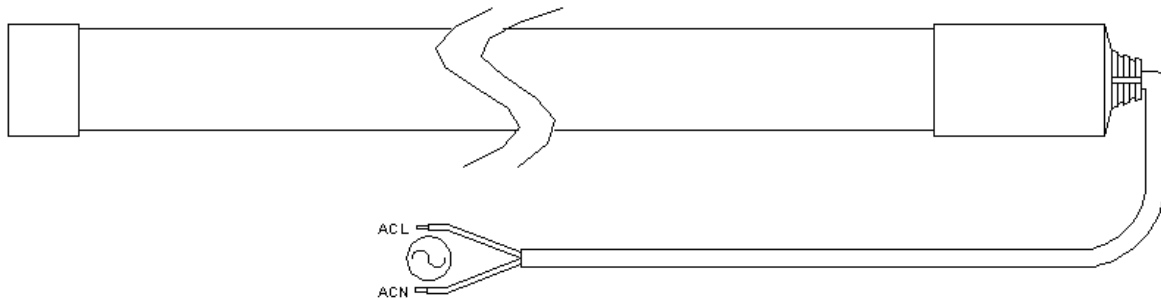
| Model No. (產品型號) | | WG82-SDXXPC5X-9W | |
|------------------------------|--------------------------------|------------------|------|
| Parameter (參數) | | Min. | Typ. |
| Power Consumption (W) (消耗功率) | | | 9 |
| Net Weight (g) (產品重量) | | | 130 |
| D30(2500~3500K) | Luminous Flux (lm) (光通量) | | 940 |
| | Illuminance @ 1m (lux) (1 米照度) | 118 | |
| D40(3500~4500K) | Luminous Flux (lm) (光通量) | | 990 |
| | Illuminance @ 1m (lux) (1 米照度) | 125 | |

Power Consumption, Weight, Luminous flux measurement allowance is $\pm 15\%$.

All specifications involving life and performance are based upon a 25°C ambient temperature. (以上資料公差為 $\pm 15\%$ 、測試的資料是在25°C的環境溫度下進行)

WG82-SDXXPC5X-9W Data Sheet

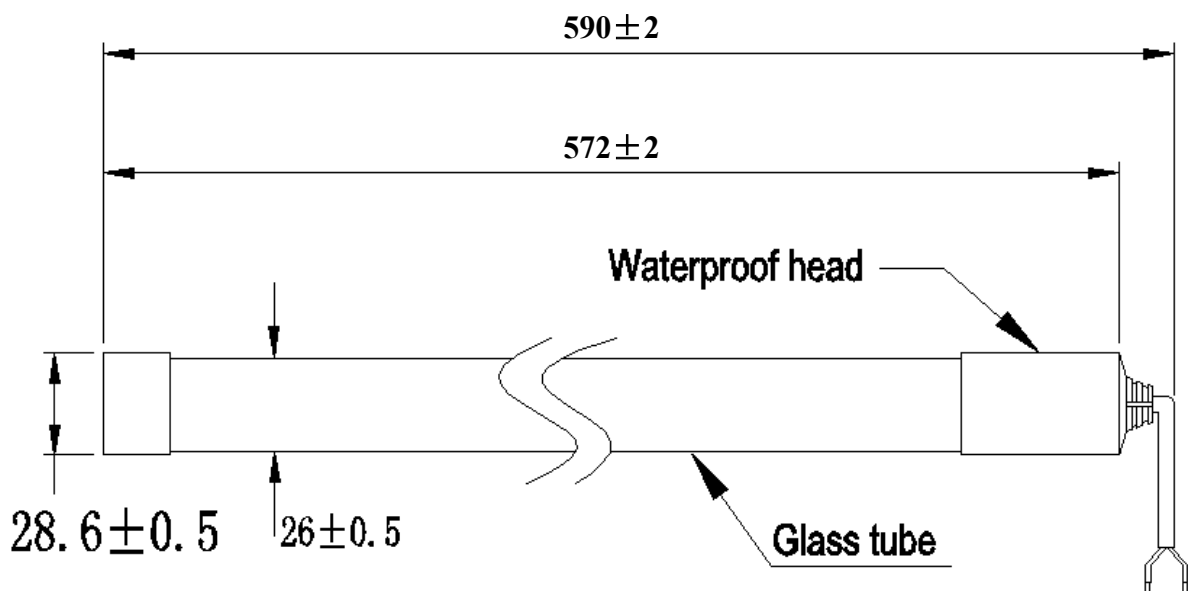
Circuit wiring diagram (電路接線圖)



Remarks (摘要):

To cut off power supply when wiring, joint should be waterproof processing
(接線時要切斷電源，接頭要做好防水處理)

Mechanical Dimensions (產品尺寸圖)



Notes(注釋): 1. Dimensions are in millimeters (上圖尺寸資料單位為: MM)

2. Tolerances unless dimensions $\pm 0.5\text{mm}$ (沒注公差的數據公差為: $\pm 0.5\text{mm}$)

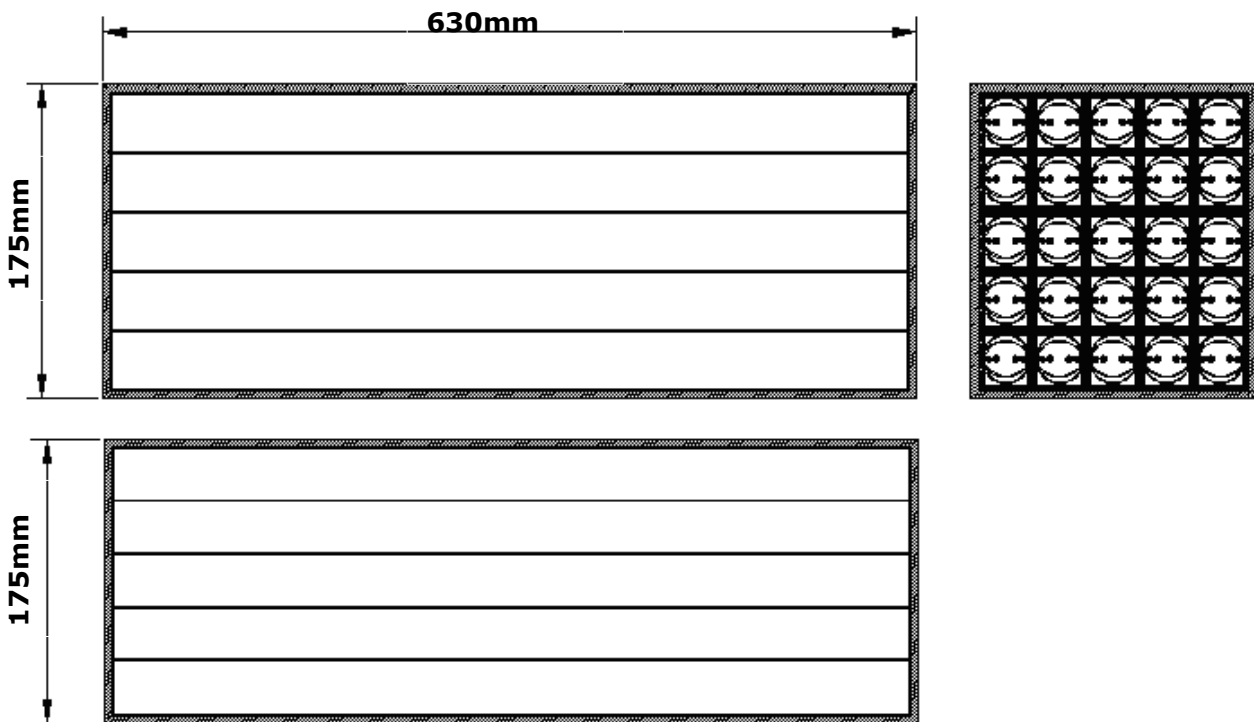
WG82-SDXXPC5X-9W Data Sheet

Dimensions of Carton (包裝)

Carton: 25PCS UNIT BOXES (25 支為一箱)

Gross weight(毛重): 3.75kg

Net weight (淨重): 3.3kg



Notes: Tolerances unless dimensions $\pm 5\text{mm}$ (沒注公差的數據公差為： $\pm 5\text{mm}$)

WG83-SDXXPC5X-13W Data Sheet

Features (產品特徵)

- ◆ Light source: SMD LED
(光源:SMD LED)
- ◆ NO UV or IR light radiation
(沒有紫外線和紅外線輻射光)
- ◆ Full range of white colors available
(白光全系列色溫都可選擇)
- ◆ Long Lifetime >40000 hours
(壽命>40000小時)
- ◆ Waterproof level : IP65
(防水等級 : IP65)
- ◆ Power consumption up to **13W** for lengths **895 mm**
(消耗功率:13W, 燈管長度:895MM)
- ◆ No mercury and ROHS compliant
(沒有汞可通過無鉛環保認證)



Typical Applications (典型應用)

- ◆ Advertising Lighting (廣告招牌照明)
- ◆ Refrigerator、Freezer Lighting (冰箱、冰櫃照明)
- ◆ Bathroom Lighting (浴室照明)
- ◆ Plant cultivation、Aquatic storage Lighting (植物栽培、水產儲藏照明)

Product Specifications (產品規格)

| Parameter(參數) | Description(描述) |
|---------------------------------|-------------------------|
| Plug (堵头) | Plastic material (塑膠材料) |
| Housing (主體) | Glass (玻璃) |
| Waterproof level (防水等級) | IP65 |
| Operation Temperature (操作溫度) | -20°C ~ +40°C |
| Storage Temperature (儲存溫度) | -40°C ~ +70°C |

WG83-SDXXPC5X-13W Data Sheet

Part Number Explanation (產品編碼)

| Model(產品類型) | Name(產品名稱) | Length(長度規格) |
|----------------------------|----------------------------|----------------------------|
| W WG83-SDXXPC5X-13W | WG 83 -SDXXPC5X-13W | WG 83 -SDXXPC5X-13W |
| W: Waterproof Tubes (防水燈管) | G8:T8 Glass tube (T8 玻璃燈管) | 3: 895mm (3ft) |

| LED Type(LED 類型) | CRI(顯色指數) | CCT(色溫) |
|----------------------------|----------------------------|----------------------------|
| WG83- S DXXPC5X-13W | WG83- S DXXPC5X-13W | WG83-SD XX PC5X-13W |
| S: SMD LED | D: ≥ 80 Ra | 30: 2500~3500K |
| | | 40: 3500~4500K |
| | | 60: 5500~6500K |

| COVER(PC 罩類型) | Input Voltage(使用電壓) | Power Factor(功率因數) |
|----------------------------|----------------------------|----------------------------|
| WG83-SDXX P C5X-13W | WG83-SDXX P C5X-13W | WG83-SDXX P C5X-13W |
| P: Powder Tube (玻璃粉管) | A: AC 175~265V | 5: ≥ 0.5 |
| | C: AC 90~305V | |

| Power Specification(電壓類型) | Wattage(消耗功率) |
|---|---------------------------|
| WG83-SDXXPC5 X -13W | WG83-SDXXPC5X- 13W |
| F: Non-Isolated without CE(非隔離無安規電源) | 13W: 13W |
| C: Non-Isolated Power with CE (非隔離安規電源) | |

Photoelectric parameters (光電參數)

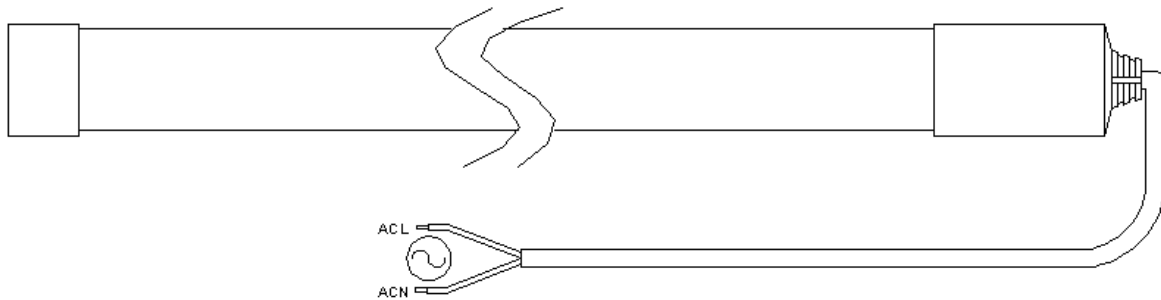
| Model No. (產品型號) | | WG83-SDXXPC5X-13W | |
|------------------------------|--------------------------------|-------------------|------|
| Parameter (參數) | | Min. | Typ. |
| Power Consumption (W) (消耗功率) | | | 13 |
| Net Weight (g) (產品重量) | | | 180 |
| D30(2500~3500K) | Luminous Flux (lm) (光通量) | | 1350 |
| D40(3500~4500K) | Illuminance @ 1m (lux) (1 米照度) | 130 | |
| D60(5500~6500K) | Luminous Flux (lm) (光通量) | | 1430 |
| | Illuminance @ 1m (lux) (1 米照度) | 140 | |

Power Consumption, Weight, Luminous flux measurement allowance is $\pm 15\%$.

All specifications involving life and performance are based upon a 25°C ambient temperature. (以上資料公差為 $\pm 15\%$ 、測試的資料是在25°C的環境溫度下進行)

WG83-SDXXPC5X-13W Data Sheet

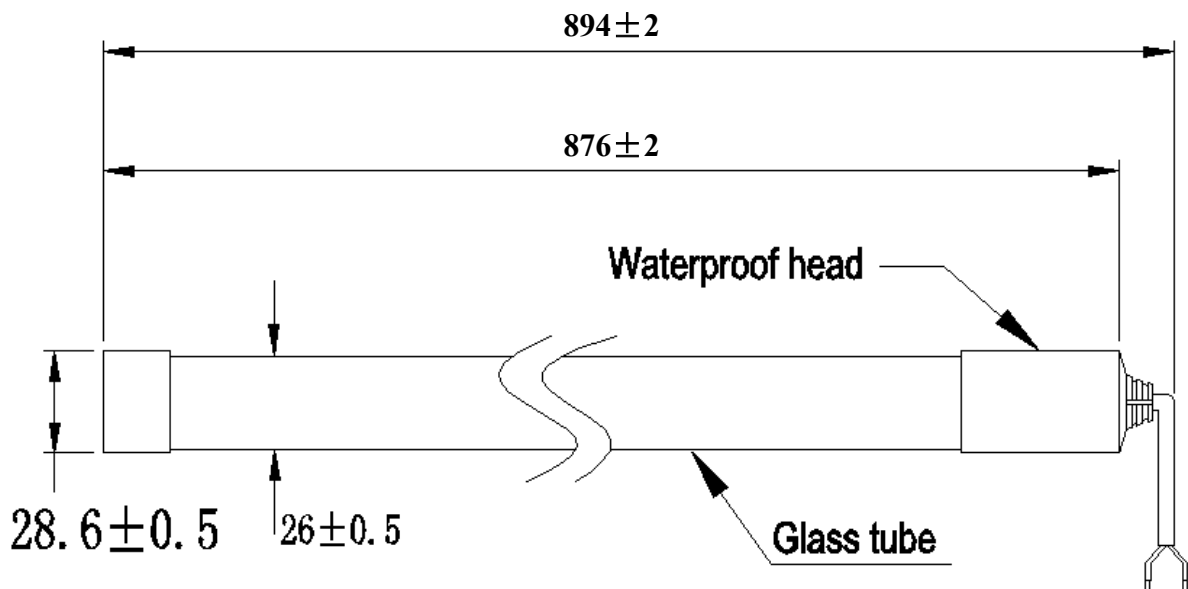
Circuit wiring diagram (電路接線圖)



Remarks (摘要):

To cut off power supply when wiring, joint should be waterproof processing
(接線時要切斷電源，接頭要做好防水處理)

Mechanical Dimensions (產品尺寸圖)



Notes(注釋): 1. Dimensions are in millimeters (上圖尺寸資料單位為：MM)

2. Tolerances unless dimensions $\pm 0.5\text{mm}$ (沒注公差的數據公差為： $\pm 0.5\text{mm}$)

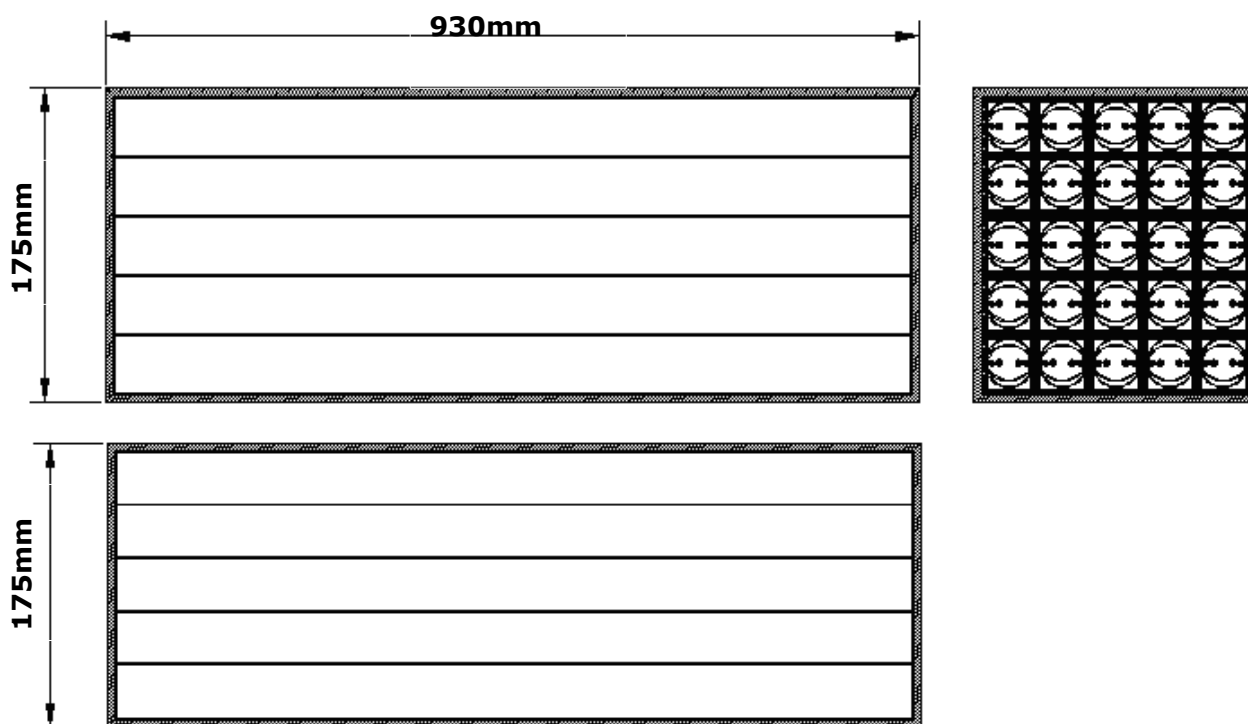
WG83-SDXXPC5X-13W Data Sheet

Dimensions of Carton (包裝)

Carton: 25PCS UNIT BOXES (25 支為一箱)

Gross weight(毛重): 5.2kg

Net weight (淨重): 4.55kg



Notes: Tolerances unless dimensions $\pm 5\text{mm}$ (沒注公差的數據公差為： $\pm 5\text{mm}$)

WG84-SDXXPC5X-18W Data Sheet

Features (產品特徵)

- ◆ Light source: SMD LED
(光源:SMD LED)
- ◆ NO UV or IR light radiation
(沒有紫外線和紅外線輻射光)
- ◆ Full range of white colors available
(白光全系列色溫都可選擇)
- ◆ Long Lifetime >40000 hours
(壽命>40000小時)
- ◆ Waterproof level : IP65
(防水等級 : IP65)
- ◆ Power consumption up to **18W** for lengths **1198 mm**
(消耗功率:18W, 燈管長度:1198MM)
- ◆ No mercury and ROHS compliant
(沒有汞可通過無鉛環保認證)



Typical Applications (典型應用)

- ◆ Advertising Lighting (廣告招牌照明)
- ◆ Refrigerator、Freezer Lighting (冰箱、冰櫃照明)
- ◆ Bathroom Lighting (浴室照明)
- ◆ Plant cultivation、Aquatic storage Lighting (植物栽培、水產儲藏照明)

Product Specifications (產品規格)

| Parameter(參數) | Description(描述) |
|---------------------------------|-------------------------|
| Plug (堵头) | Plastic material (塑膠材料) |
| Housing (主體) | Glass (玻璃) |
| Waterproof level (防水等級) | IP65 |
| Operation Temperature (操作溫度) | -20°C ~ +40°C |
| Storage Temperature (儲存溫度) | -40°C ~ +70°C |

WG84-SDXXPC5X-18W Data Sheet

Part Number Explanation (產品編碼)

| Model(產品類型) | Name(產品名稱) | Length(長度規格) |
|----------------------------|----------------------------|----------------------------|
| W G84-SDXXPC5X-18W | WG 84 -SDXXPC5X-18W | WG 84 -SDXXPC5X-18W |
| W: Waterproof Tubes (防水燈管) | G8:T8 Glass tube (T8 玻璃燈管) | 4: 1198mm (4ft) |

| LED Type(LED 類型) | CRI(顯色指數) | CCT(色溫) |
|----------------------------|---------------------------|----------------------------|
| WG84- S DXXPC5X-18W | WG84-SD X PC5X-18W | WG84-SD XX PC5X-18W |
| S: SMD LED | D: ≥ 80 Ra | 30: 2500~3500K |
| | | 40: 3500~4500K |
| | | 60: 5500~6500K |

| COVER(PC 罩類型) | Input Voltage(使用電壓) | Power Factor(功率因數) |
|----------------------------|----------------------------|----------------------------|
| WG84-SDXX P C5X-18W | WG84-SDXX P C5X-18W | WG84-SDXX P C5X-18W |
| P: Powder Tube (玻璃粉管) | A: AC 175~265V | 5: ≥ 0.5 |
| | C: AC 90~305V | |

| Power Specification(電壓類型) | Wattage(消耗功率) |
|---|---------------------------|
| WG84-SDXXPC5 X -18W | WG84-SDXXPC5X- 18W |
| F: Non-Isolated without CE(非隔離無安規電源) | 18W: 18W |
| C: Non-Isolated Power with CE (非隔離安規電源) | |

Photoelectric parameters (光電參數)

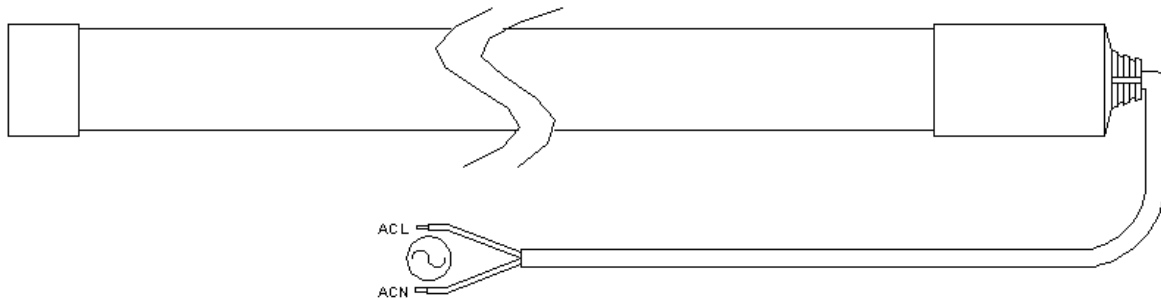
| Model No. (產品型號) | | WG84-SDXXPC5X-18W | |
|------------------------------|--------------------------------|-------------------|------|
| Parameter (參數) | | Min. | Typ. |
| Power Consumption (W) (消耗功率) | | | 18 |
| Net Weight (g) (產品重量) | | | 220 |
| D30(2500~3500K) | Luminous Flux (lm) (光通量) | | 1880 |
| D40(3500~4500K) | Illuminance @ 1m (lux) (1 米照度) | 210 | |
| D60(5500~6500K) | Luminous Flux (lm) (光通量) | | 1980 |
| | Illuminance @ 1m (lux) (1 米照度) | 230 | |

Power Consumption, Weight, Luminous flux measurement allowance is $\pm 15\%$.

All specifications involving life and performance are based upon a 25°C ambient temperature. (以上資料公差為 $\pm 15\%$ 、測試的資料是在25°C的環境溫度下進行)

WG84-SDXXPC5X-18W Data Sheet

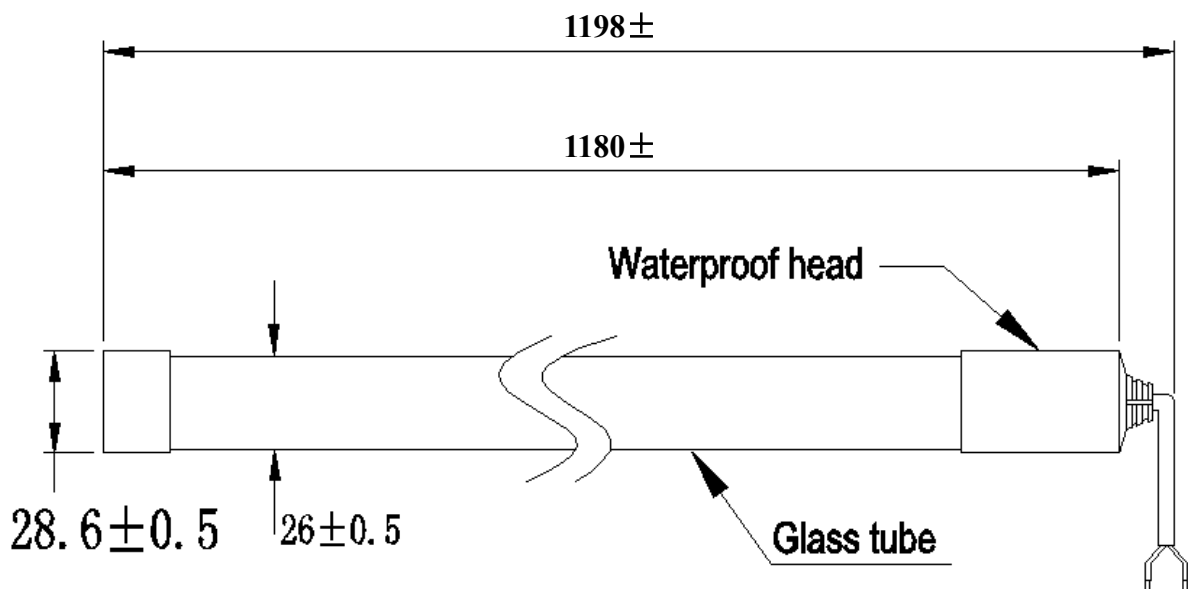
Circuit wiring diagram (電路接線圖)



Remarks (摘要):

To cut off power supply when wiring, joint should be waterproof processing
(接線時要切斷電源，接頭要做好防水處理)

Mechanical Dimensions (產品尺寸圖)



Notes(注釋): 1. Dimensions are in millimeters (上圖尺寸資料單位為：MM)

2. Tolerances unless dimensions $\pm 0.5\text{mm}$ (沒注公差的數據公差為： $\pm 0.5\text{mm}$)

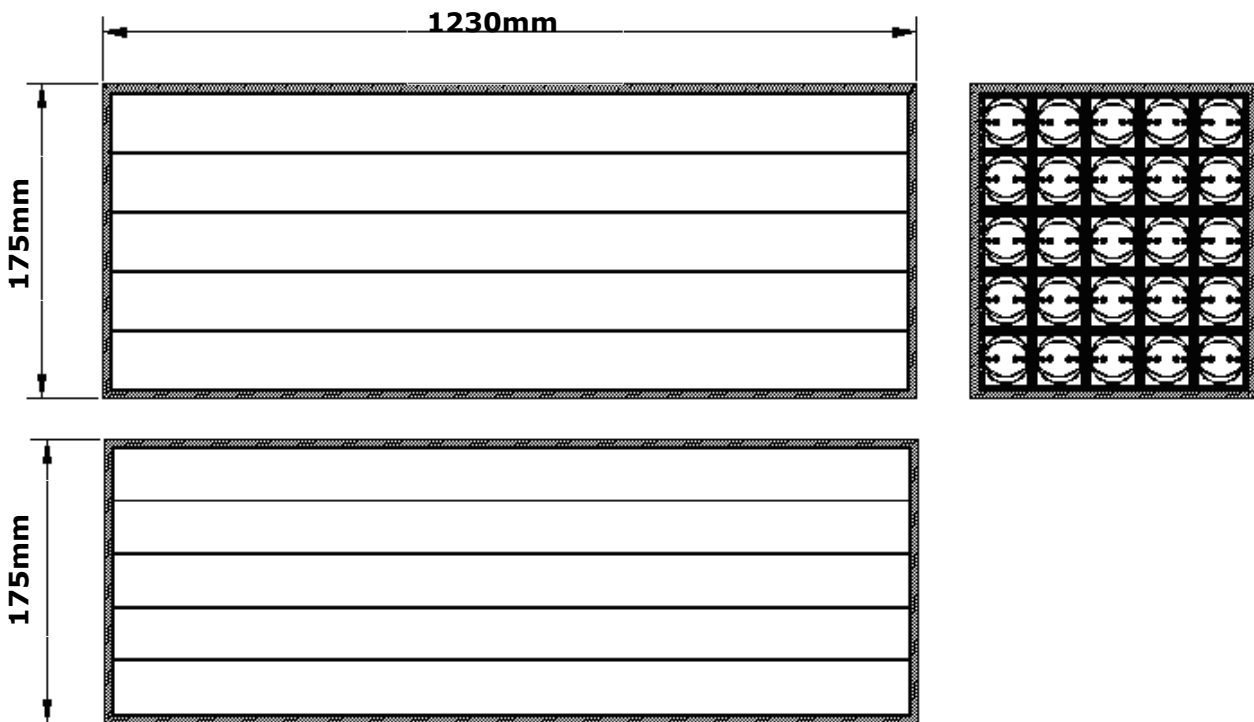
WG84-SDXXPC5X-18W Data Sheet

Dimensions of Carton (包裝)

Carton: 25PCS UNIT BOXES (25 支為一箱)

Gross weight(毛重): 6.38kg

Net weight (淨重): 5.5kg



Notes: Tolerances unless dimensions $\pm 5\text{mm}$ (沒注公差的數據公差為： $\pm 5\text{mm}$)

WG85-SDXXPC5X-23W Data Sheet

Features (產品特徵)

- ◆ Light source: SMD LED
(光源:SMD LED)
- ◆ NO UV or IR light radiation
(沒有紫外線和紅外線輻射光)
- ◆ Full range of white colors available
(白光全系列色溫都可選擇)
- ◆ Long Lifetime >40000 hours
(壽命>40000小時)
- ◆ Waterproof level : IP65
(防水等級 : IP65)
- ◆ Power consumption up to **23W** for lengths **1498 mm**
(消耗功率:23W, 燈管長度:1498MM)
- ◆ No mercury and ROHS compliant
(沒有汞可通過無鉛環保認證)



Typical Applications (典型應用)

- ◆ Advertising Lighting (廣告招牌照明)
- ◆ Refrigerator、Freezer Lighting (冰箱、冰櫃照明)
- ◆ Bathroom Lighting (浴室照明)
- ◆ Plant cultivation、Aquatic storage Lighting (植物栽培、水產儲藏照明)

Product Specifications (產品規格)

| Parameter(參數) | Description(描述) |
|---------------------------------|-------------------------|
| Plug (堵头) | Plastic material (塑膠材料) |
| Housing (主體) | Glass (玻璃) |
| Waterproof level (防水等級) | IP65 |
| Operation Temperature (操作溫度) | -20°C ~ +40°C |
| Storage Temperature (儲存溫度) | -40°C ~ +70°C |

WG85-SDXXPC5X-23W Data Sheet

Part Number Explanation (產品編碼)

| Model(產品類型) | Name(產品名稱) | Length(長度規格) |
|----------------------------|----------------------------|----------------------------|
| W G85-SDXXPC5X-23W | WG 85 -SDXXPC5X-23W | WG 85 -SDXXPC5X-23W |
| W: Waterproof Tubes (防水燈管) | G8:T8 Glass tube (T8 玻璃燈管) | 5: 1498mm (5ft) |

| LED Type(LED 類型) | CRI(顯色指數) | CCT(色溫) |
|----------------------------|---------------------------|----------------------------|
| WG85- S DXXPC5X-23W | WG85-SD X PC5X-23W | WG85-SD XX PC5X-23W |
| S: SMD LED | D: ≥ 80 Ra | 30: 2500~3500K |
| | | 40: 3500~4500K |
| | | 60: 5500~6500K |

| COVER(PC 罩類型) | Input Voltage(使用電壓) | Power Factor(功率因數) |
|----------------------------|----------------------------|----------------------------|
| WG85-SDXX P C5X-23W | WG85-SDXX P C5X-23W | WG85-SDXX P C5X-23W |
| P: Powder Tube (玻璃粉管) | A: AC 175~265V | 5: ≥ 0.5 |
| | C: AC 90~305V | |

| Power Specification(電壓類型) | Wattage(消耗功率) |
|---|---------------------------|
| WG85-SDXXPC5 X -23W | WG85-SDXXPC5X- 23W |
| F: Non-Isolated without CE(非隔離無安規電源) | 23W: 23W |
| C: Non-Isolated Power with CE (非隔離安規電源) | |

Photoelectric parameters (光電參數)

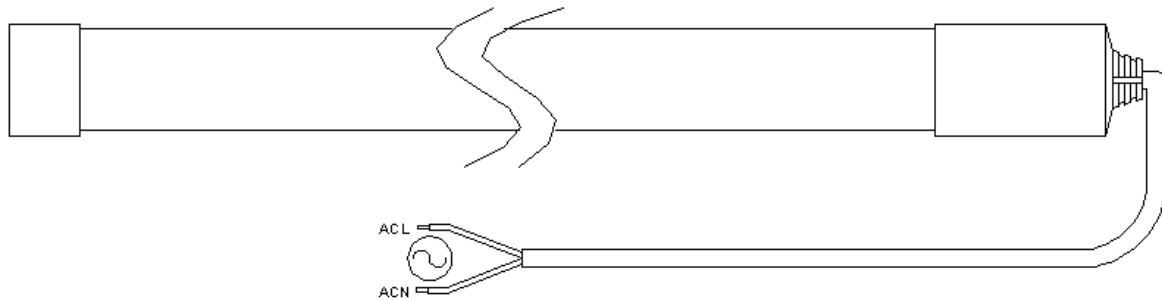
| Model No. (產品型號) | | WG85-SDXXPC5X-23W | |
|------------------------------|--------------------------------|-------------------|------|
| Parameter (參數) | | Min. | Typ. |
| Power Consumption (W) (消耗功率) | | | 23 |
| Net Weight (g) (產品重量) | | | 300 |
| D30(2500~3500K) | Luminous Flux (lm) (光通量) | | 2400 |
| D40(3500~4500K) | Illuminance @ 1m (lux) (1 米照度) | 275 | |
| D60(5500~6500K) | Luminous Flux (lm) (光通量) | | 2530 |
| | Illuminance @ 1m (lux) (1 米照度) | 290 | |

Power Consumption, Weight, Luminous flux measurement allowance is $\pm 15\%$.

All specifications involving life and performance are based upon a 25°C ambient temperature. (以上資料公差為 $\pm 15\%$ 、測試的資料是在25°C的環境溫度下進行)

WG85-SDXXPC5X-23W Data Sheet

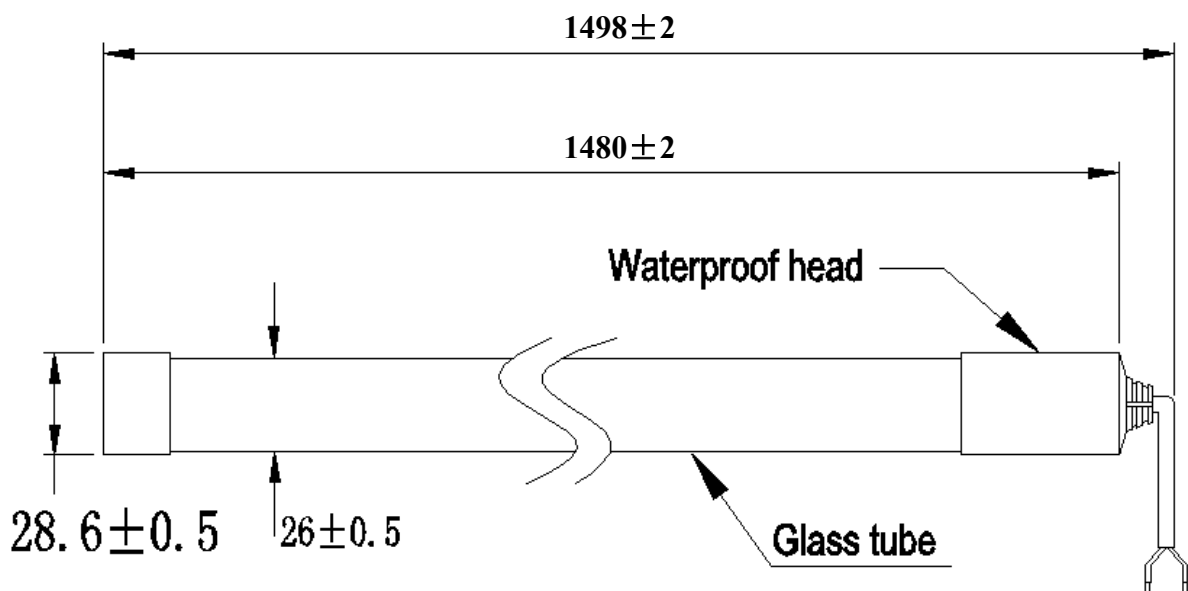
Circuit wiring diagram (電路接線圖)



Remarks (摘要):

To cut off power supply when wiring, joint should be waterproof processing
(接線時要切斷電源，接頭要做好防水處理)

Mechanical Dimensions (產品尺寸圖)



Notes(注釋): 1. Dimensions are in millimeters (上圖尺寸資料單位為: MM)

2. Tolerances unless dimensions $\pm 0.5\text{mm}$ (沒注公差的數據公差為: $\pm 0.5\text{mm}$)

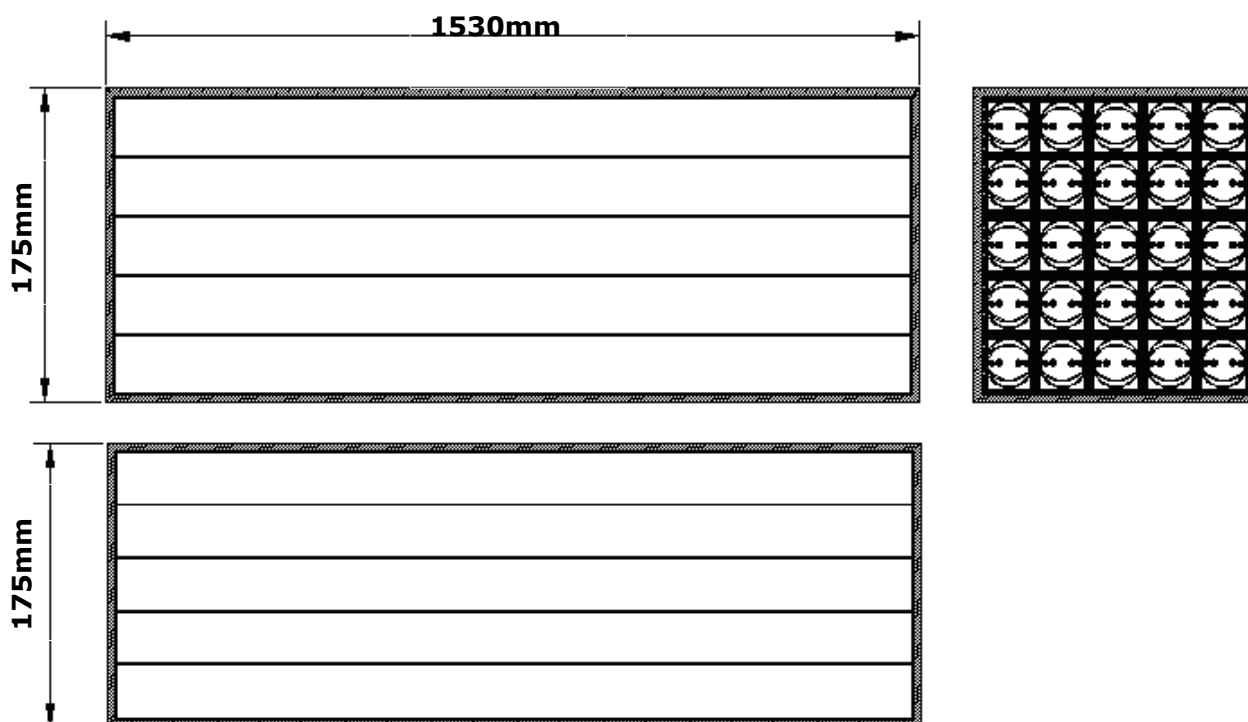
WG85-SDXXPC5X-23W Data Sheet

Dimensions of Carton (包裝)

Carton: 25PCS UNIT BOXES (25 支為一箱)

Gross weight(毛重): 8.6kg

Net weight (淨重): 7.5kg



Notes: Tolerances unless dimensions $\pm 5\text{mm}$ (沒注公差的數據公差為： $\pm 5\text{mm}$)