

## M6A-SDXEC5CU5-5W Data Sheet

### Features(產品特徵)

- ◆ Light source: SMD LED  
(光源:SMD LED)
- ◆ NO UV or IR light radiation  
(沒有紫外線和紅外線輻射光)
- ◆ Full range of white colors available  
(白光全系列色溫都可選擇)
- ◆ Long Lifetime >40000 hours  
(壽命>40000小時)
- ◆ Power consumption up to **5W** for  
Diameter**50mm**  
(消耗功率:**5W**, 直徑:**50MM**)
- ◆ No mercury and ROHS compliant  
(沒有汞可通過無鉛環保認證)



### Typical Applications(典型應用)

- ◆ Indoor Lighting(室內照明)
- ◆ Architectural Lighting(建築照明)
- ◆ Office Lighting(辦公照明)
- ◆ MR16Halogen lamp Replacement(可取代傳統MR16杯燈)

### Product Specifications(產品規格)

Parameter(參數)	Description(描述)
Optical lens(透光罩)	Plastic Cover optical lens (光學透境)
Housing(主體)	Plastic coated aluminum (塑包鋁)
Lamp base (燈頭)	GU5.3 Standard Size (GU5.3 燈頭)
Operation Temperature(操作溫度)	-20°C ~ +40°C
Storage Temperature(儲存溫度)	-40°C ~ +70°C

## M6A-SDXXEC5CU5-5W Data Sheet

### Part Number Explanation

Model(產品類型)	Specialcode(產品款式)	LED Type(LED 類型)
<b>M6A</b> -SDXXEC5CU5-5W	M6 <b>A</b> -SDXXEC5CU5-5W	M6A- <b>S</b> DXXEC5CU5-5W
M6:MR16	A:A Type	S: SMD LED

CRI(顯色指數)	CCT(色溫)	View Angle (發光角度)
M6A- <b>S</b> DXXEC5CU5-5W	M6A-SD <b>XX</b> EC5CU5-5W	M6A-SDXX <b>E</b> C5CU5-5W
D: $\geq 80$ Ra	30: 2500~3500K	D:15°
	40: 3500~4500K	E:25°
	60: 5500~6500K	H:45°

Input Voltage(使用電壓)	Power Factor (功率因數)	Power Specification (電源類型)
M6A-SDXXE <b>C</b> 5CU5-5W	M6A-SDXXEC <b>5</b> CU5-5W	M6A-SDXXEC5 <b>C</b> U5-5W
C:AC 90~305V	5: $\geq 0.5$	C: Isolated Power with CE

Lamp base (燈頭類型)	Wattage(消耗功率)	
M6A-SDXXEC5C <b>U5</b> -5W	M6A-SDXXEC5CU5- <b>5W</b>	
U5:GU5.3	5W:5W	

### Specifications of Plastic Optical Lens Series

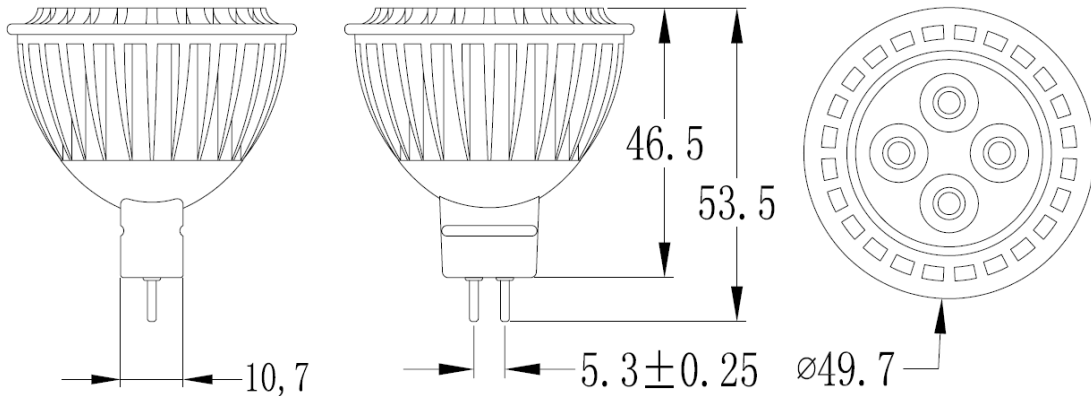
Model No. (產品型號)		M6A-SDXXEC5CU5-5W	
Parameter (參數)		Min.	Typ.
Power Consumption (W) (消耗功率)			5
Net Weight(g) (產品重量)			36
View Angle(°) (發光角度)		25°	
D30(2500~3500K)	Luminous Flux(lm) (光通量)		390
D40(3500~4500K)	Illuminance @ 1m(lux) (1米照度)	520	
D60(5500~6500K)	Luminous Flux(lm) (光通量)		420
	Illuminance @ 1m(lux) (1米照度)	550	

Power Consumption, Weight, Luminous flux measurement allowance is  $\pm 15\%$ .

All specifications involving life and performance are based upon a 25°C ambient temperature. (以上資料公差為 $\pm 15\%$ 、測試的資料是在 25°C 的環境溫度下進行)

## M6A-SDXSEC5CU5-5W Data Sheet

### Mechanical Dimensions (產品尺寸圖)



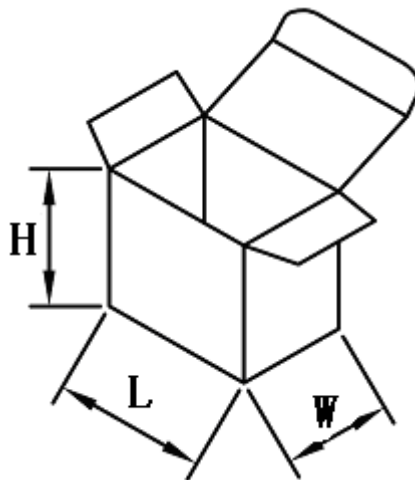
Notes(注釋): 1. Dimensions are in millimeters (上圖尺寸資料單位為：MM)

2. Tolerances unless dimensions  $\pm 0.5\text{mm}$  (沒注公差的數據公差為： $\pm 0.5\text{mm}$ )

### Dimensions of Carton (產品包裝)

#### 1. Single Unit:(內盒)

Carton size: (尺寸) 51(L)\*51(W)\*58(H)mm



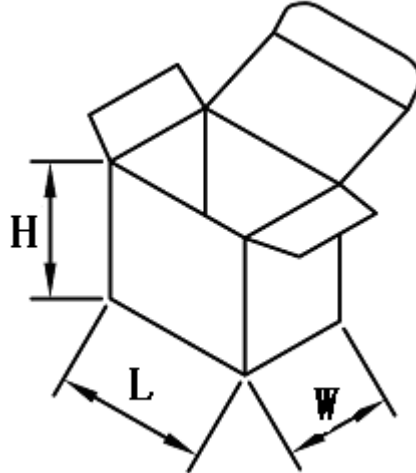
Notes(注釋): 1. Dimensions are in millimeters (上圖尺寸資料單位為：MM)

2. Tolerances unless dimensions  $\pm 2.5\text{mm}$  (沒注公差的數據公差為： $\pm 2.5\text{mm}$ )

## M6A-SDXXEC5CU5-5W Data Sheet

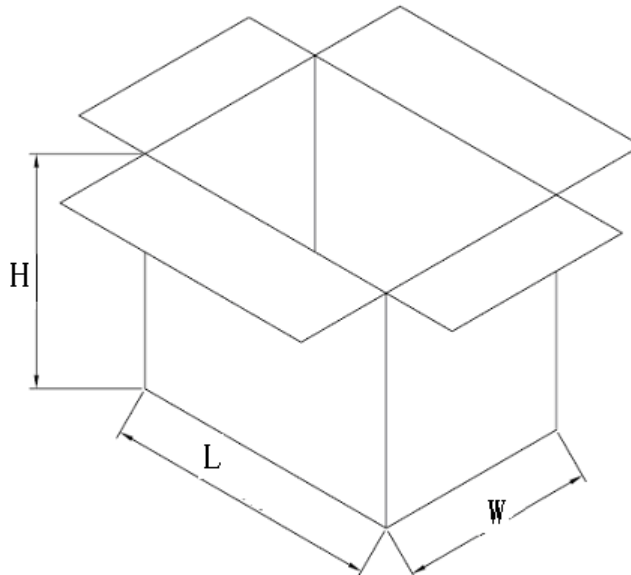
2. Middle box: 50 PCS Unit Boxes (中盒 50 個為一箱)

Carton size: (尺寸) 260(L)\*105(W)\*280(H)mm



3. Box Unit: 200 PCS Unit Boxes (200 個為一箱)

Carton size: (尺寸) 435(L)\*275(W)\*295(H)mm



Notes(注釋): 1. Dimensions are in millimeters (上圖尺寸資料單位為: MM)

2. Tolerances unless dimensions  $\pm 5\text{mm}$  (沒注公差的數據公差為:  $\pm 5\text{mm}$ )