

M6A-SDXXEC5CU5-7W Data Sheet

Features(產品特徵)

- ◆ Light source: SMD LED
(光源:SMD LED)
- ◆ NO UV or IR light radiation
(沒有紫外線和紅外線輻射光)
- ◆ Full range of white colors available
(白光全系列色溫都可選擇)
- ◆ Long Lifetime >40000 hours
(壽命>40000小時)
- ◆ Power consumption up to **7W** for
Diameter**50mm**
(消耗功率:**7W**, 直徑:**50MM**)
- ◆ No mercury and ROHS compliant
(沒有汞可通過無鉛環保認證)



Typical Applications(典型應用)

- ◆ Indoor Lighting(室內照明)
- ◆ Architectural Lighting(建築照明)
- ◆ Office Lighting(辦公照明)
- ◆ MR16Halogen lamp Replacement(可取代傳統MR16杯燈)

Product Specifications(產品規格)

Parameter(參數)	Description(描述)
Optical lens(透光罩)	Plastic Cover optical lens (光學透境)
Housing(主體)	Plastic coated aluminum (塑包鋁)
Lamp base (燈頭)	GU5.3 Standard Size (GU5.3 燈頭)
Operation Temperature(操作溫度)	-20°C ~ +40°C
Storage Temperature(儲存溫度)	-40°C ~ +70°C

M6A-SDXXEC5CU5-7W Data Sheet

Part Number Explanation

Model(產品類型)	Specialcode(產品款式)	LED Type(LED 類型)
M6A -SDXXEC5CU5-7W	M6 A -SDXXEC5CU5-7W	M6A- S DXXEC5CU5-7W
M6:MR16	A:A Type	S: SMD LED

CRI(顯色指數)	CCT(色溫)	View Angle (發光角度)
M6A- S DXXEC5CU5-7W	M6A-SD XX EC5CU5-7W	M6A-SDXX E C5CU5-7W
D: ≥ 80 Ra	30: 2500~3500K	D:15°
	40: 3500~4500K	E:25°
	60: 5500~6500K	H:45°

Input Voltage(使用電壓)	Power Factor (功率因數)	Power Specification (電源類型)
M6A-SDXXE C 5CU5-7W	M6A-SDXXEC 5 CU5-7W	M6A-SDXXEC 5 CU5-7W
C:AC 90~305V	5: ≥ 0.5	C: Isolated Power with CE

Lamp base (燈頭類型)	Wattage(消耗功率)	
M6A-SDXXEC5C U 5-7W	M6A-SDXXEC5CU5- 7W	
U5:GU5.3	7W:7W	

Specifications of Plastic Optical Lens Series

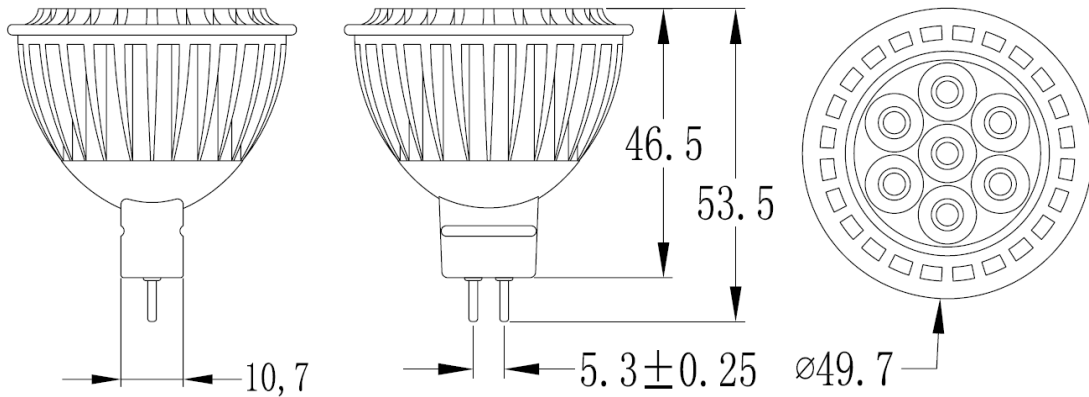
Model No. (產品型號)		M6A-SDXXEC5CU5-7W	
Parameter (參數)		Min.	Typ.
Power Consumption (W) (消耗功率)			7
Net Weight(g) (產品重量)			38
View Angle(°) (發光角度)		25°	
D30(2500~3500K)	Luminous Flux(lm) (光通量)		570
D40(3500~4500K)	Illuminance @ 1m(lux) (1米照度)	690	
D60(5500~6500K)	Luminous Flux(lm) (光通量)		600
	Illuminance @ 1m(lux) (1米照度)	730	

Power Consumption, Weight, Luminous flux measurement allowance is $\pm 15\%$.

All specifications involving life and performance are based upon a 25°C ambient temperature. (以上資料公差為 $\pm 15\%$ 、測試的資料是在 25°C 的環境溫度下進行)

M6A-SDXSEC5CU5-7W Data Sheet

Mechanical Dimensions (產品尺寸圖)



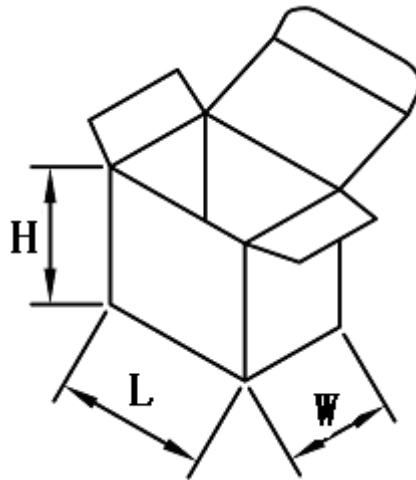
Notes(注釋): 1. Dimensions are in millimeters (上圖尺寸資料單位為：MM)

2. Tolerances unless dimensions ±0.5mm (沒注公差的數據公差為：±0.5mm)

Dimensions of Carton (產品包裝)

1. Single Unit:(內盒)

Carton size: (尺寸) 51(L)*51(W)*58(H)mm



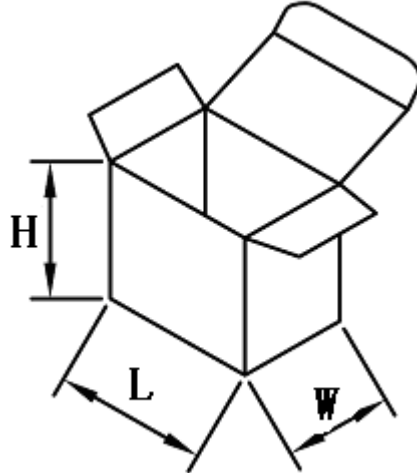
Notes(注釋): 1. Dimensions are in millimeters (上圖尺寸資料單位為：MM)

2. Tolerances unless dimensions ±2.5mm (沒注公差的數據公差為：±2.5mm)

M6A-SDXXEC5CU5-7W Data Sheet

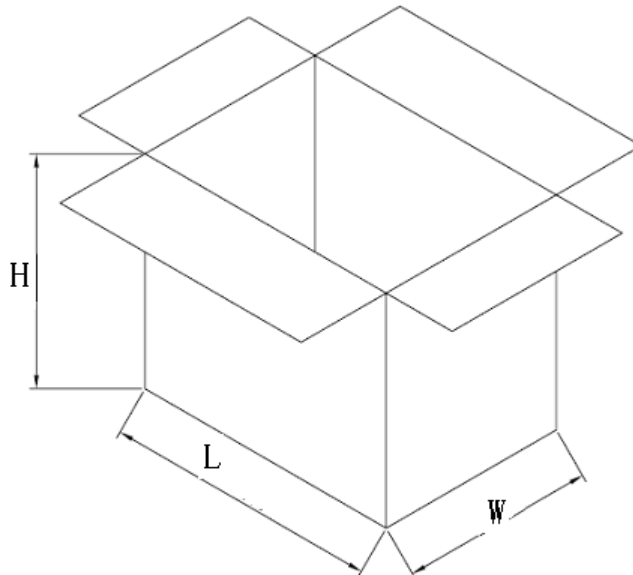
2. Middle box: 50 PCS Unit Boxes (中盒 50 個為一箱)

Carton size: (尺寸) 260(L)*105(W)*280(H)mm



3. Box Unit: 200 PCS Unit Boxes (200 個為一箱)

Carton size: (尺寸) 435(L)*275(W)*295(H)mm



Notes(注釋): 1. Dimensions are in millimeters (上圖尺寸資料單位為: MM)

2. Tolerances unless dimensions $\pm 5\text{mm}$ (沒注公差的數據公差為: $\pm 5\text{mm}$)